



**A.C.E.** 泰華達股份有限公司  
ArchiCore Electronics CO., LTD



## Product Specification

<b>Product name</b>	<b>TG1P2001</b>
<b>Product Type</b>	<b>24pins Single Port Magnetic Module</b>
<b>System Application</b>	<b>10G Base-T</b>
<b>Author</b>	<b>Alvin Liou</b>
<b>Approved By</b>	<b>Sundi Lin</b>

**A.C.E.**

泰華達股份有限公司

**Archicore Electronics CO., LTD**

地址：高雄市前鎮區新衙路 288-6 號 7F-1(運通大樓 C 棟)

**Address: 7F-1, No. 288-6, Xinya 1 Rd., Chianjen District,  
Kaohsiung City, 806, Taiwan**

**Tel: +886-7-970-3268    FAX: +886-7-841-1851**



**A.C.E.** 泰華達股份有限公司  
ArchiCore Electronics CO., LTD

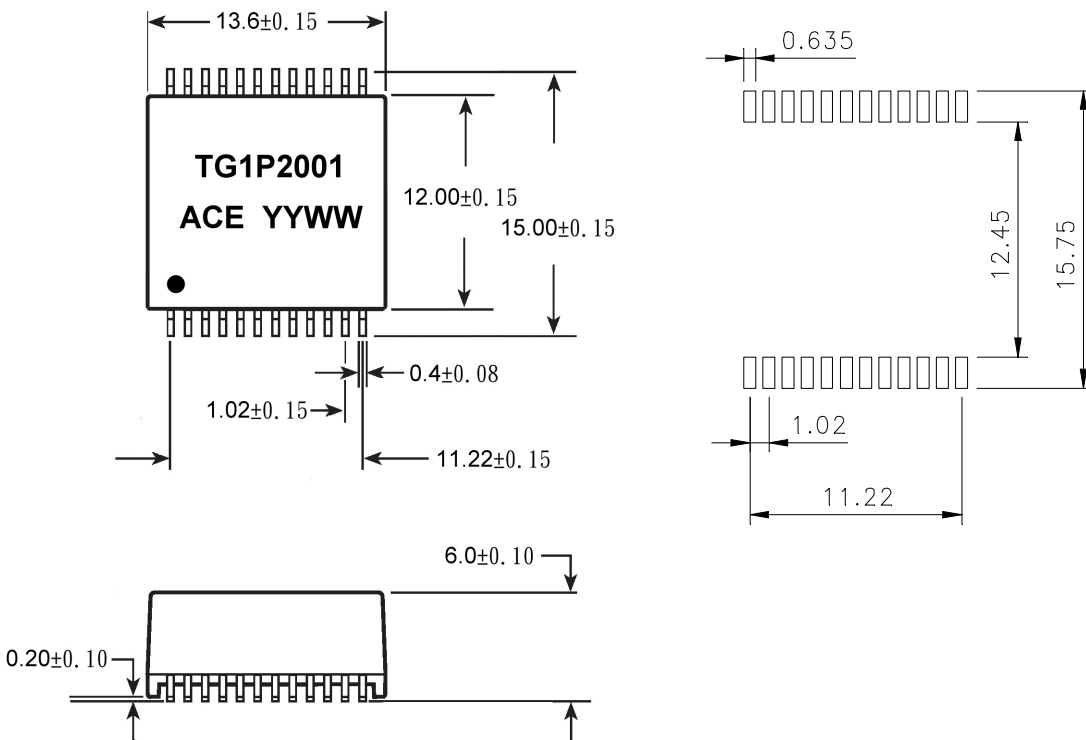
**Feature:**

Compliant with IEEE 802.3 standard

**Specifications :** @ 25<sup>0</sup>C, operating temperature 0<sup>0</sup>C -70<sup>0</sup>C

1. Insertion Loss	-2.0 dB Better -1.0 dB Better	@1MHz @10-500MHz
2. Return loss	-20 dB TYP. -20 dB TYP. -5 dB TYP.	@1MHz @100MHz @500MHz
3. Cross talk	-40 dB Better -30 dB Better	@1-100MHz @100-500MHz
4. CMRR	-60 dB Better -30 dB Better -10 dB Better	@1MHz @100MHz @500MHz
5. Voltage isolation	1500 vrms	

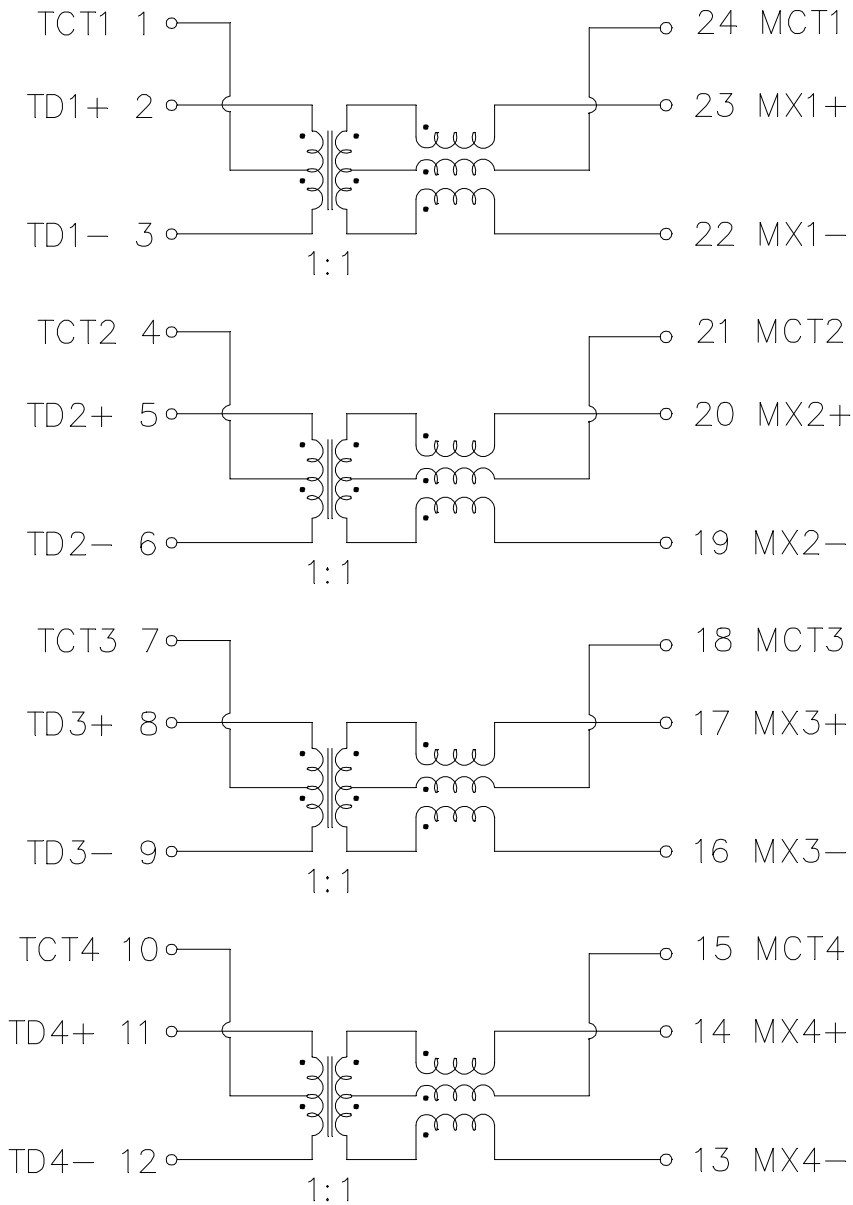
**Mechanical:** ± 0.25mm





**A.C.E.** 泰華達股份有限公司  
ArchiCore Electronics CO., LTD

**Schematic:**





**A.C.E.** 泰華達股份有限公司  
ArchiCore Electronics CO., LTD

**Revision History:**

Rev.	Author	Approved by	Description of change	Issued date
0	Alvin	Sundi	New release	2011/3/23