



A.C.E. 泰華達股份有限公司
ArchiCore Electronics CO., LTD



Product Specification

Product name	HL5P1001
Product Type	60 pins Magnetic Module
System Application	10/100Base Five Port
Author	Sundi Lin
Approved By	Alvin Liou

A.C.E.
泰華達股份有限公司

Archicore Electronics CO., LTD

地址: 高雄市前鎮區新衙路 288-6 號 7F-1(運通大樓 C 棟)

**Address: 7F-1, No. 288-6, Xinya 1 Rd., Chianjen District,
Kaohsiung City, 806, Taiwan**

Tel: +886-7-970-3268 FAX: +886-7-841-1851

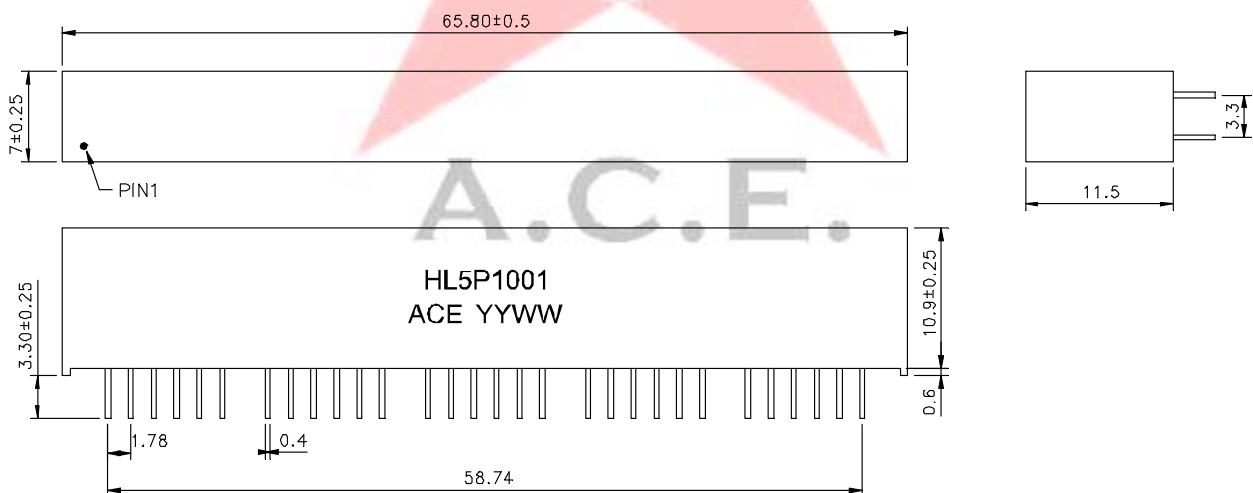


A.C.E. 泰華達股份有限公司
ArchiCore Electronics CO., LTD

Specifications :@ 25⁰C, operating temperature 0⁰C -70⁰C

1. Turn Ratio	1CT :1CT ± 5%	TX , RX
2. Inductance	350uH Min.	@100KHz, 100mV with 8mA DC Bias
3. Insertion Loss	-1.0 dB Max.	@1-100MHz
4. Return loss	-18 dB Min. -14.4 dB Min. -13.1 dB Min. -12 dB Min.	@1-30MHz @40MHz @50MHz @60-80MHz
5. Cross talk	-40 dB Min. -35 dB Min. -30 dB Min.	@30MHz @60MHz @100MHz
6. Different CMR	-40 dB Min. -35 dB Min. -30 dB Min.	@30MHz @60MHz @100MHz
7. Voltage isolation	1500 vrms	

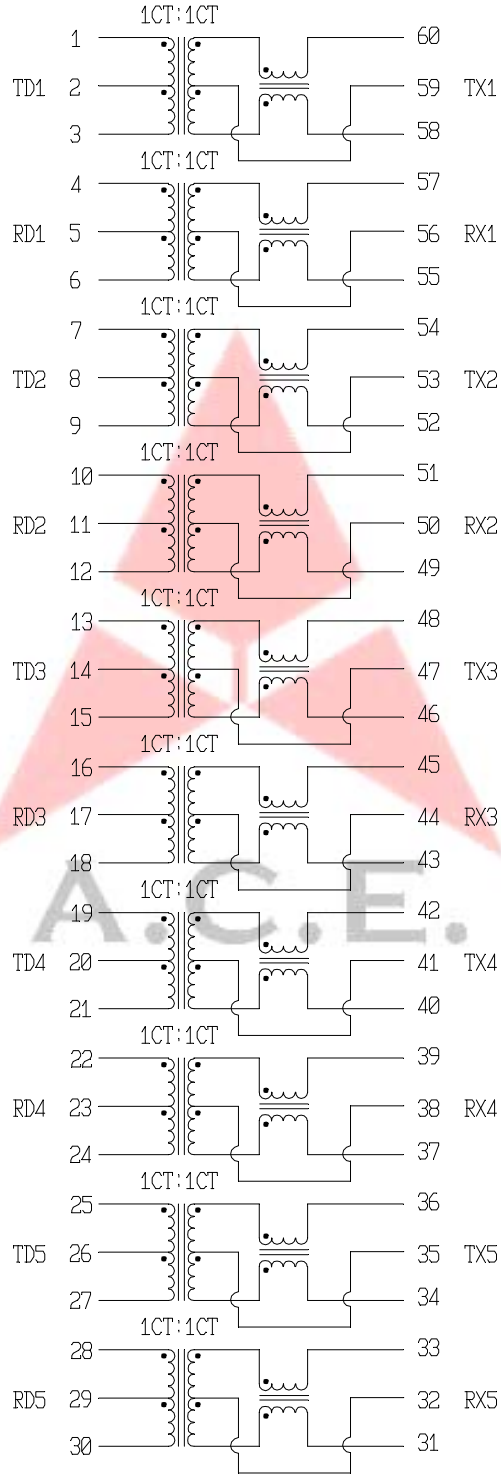
Dimension: unit: +/-0.25 mm





A.C.E. 泰華達股份有限公司
ArchiCore Electronics CO., LTD

Schematic:





A.C.E. 泰華達股份有限公司
ArchiCore Electronics CO., LTD

Revision History:

Rev.	Author	Approved by	Description of change	Issued date
0	Sundi	Alvin	New release	2010/12/10

