



A.C.E. 泰華達股份有限公司
ArchiCore Electronics CO., LTD

Product Specification

Product name	HL4P2002
Product Type	Transformer SMT type
System Application	QUAD 10/100Base Supporting AutoMdx function
Author	Cathy Huang
Approved By	Sundi Lin
RoHS Compliant	

A.C.E.

泰華達股份有限公司

Archicore Electronics CO., LTD

地址: 高雄市前鎮區新衙路 288-6 號 7F-1(運通大樓 C 棟)

**Address: 7F-1, No. 288-6, Xinya 1 Rd., Chianjen District,
Kaohsiung City, 806, Taiwan**

Tel: +886-7-970-3268 FAX: +886-7-841-1851

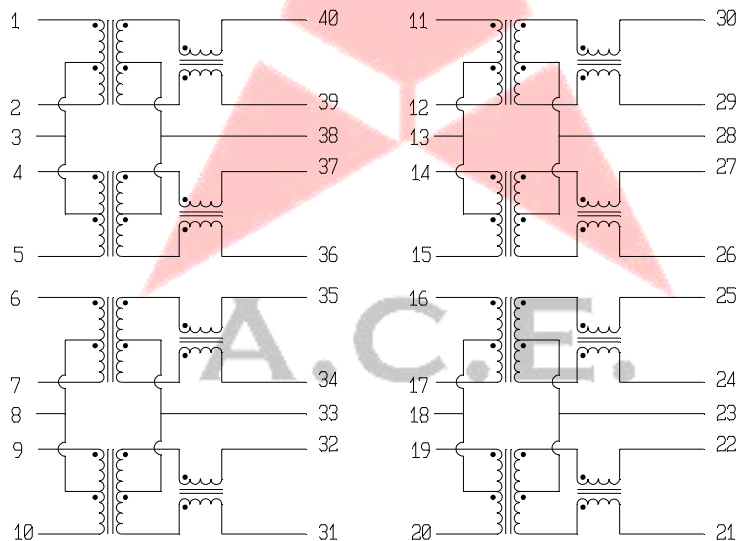


A.C.E. 泰華達股份有限公司
ArchiCore Electronics CO., LTD

Specifications :@ 25°C, operating temperature -40°C -70°C

- | | | |
|-------------------------|--|---|
| 1. Turn Ratio | 1CT :1CT \pm 5% | Pin(1-2) : (40-39); Pin(4-5) : (37-36) |
| 2. Inductance(with 8mA) | 350uH Min. | Pin(1-2) & Pin(4-5) , @100KHz, 100mV, |
| 3. Insertion Loss | -1.0 dB Max. | @1-100MHz |
| 4. Return loss | -16 dB Min.
-13.5 dB Min.
-11.5 dB Min.
-10 dB Min. | @1-30MHz
@40MHz
@50MHz
@60-80MHz |
| 5. Cross talk | -40 dB Min.
-38 dB Min. | @1-60MHz
@60-100MHz |
| 6. Voltage isolation | 1500 vrms | |

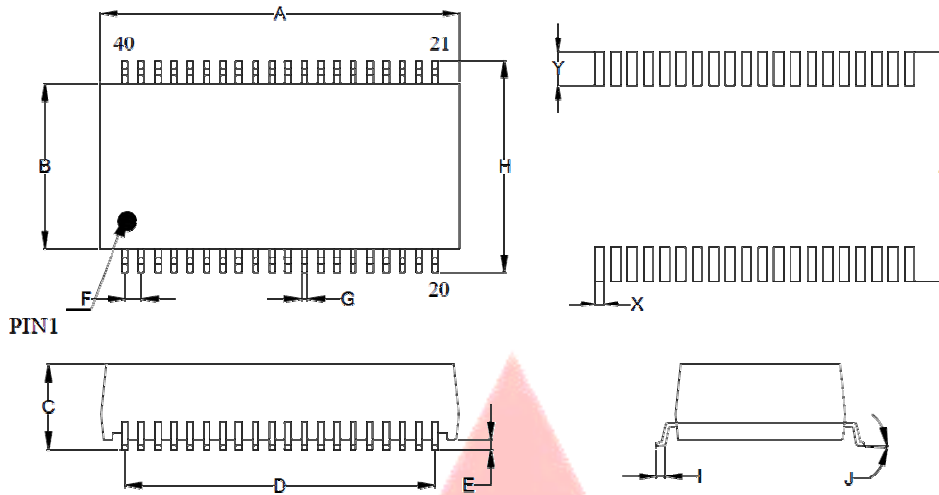
Schematic:





A.C.E. 泰華達股份有限公司
 ArchiCore Electronics CO., LTD

Dimension :



DIM	MILLIMETERS		INCHES	
	MIN	MAX	MIN	MAX
A	27.50	28.50	1.083	1.122
B	11.70	12.70	0.461	0.500
C	5.35	5.95	0.211	0.234
D	24.13(typical)		0.950(typical)	
E	0.15	0.45	0.006	0.018
F	1.27(typical)		0.050(typical)	
G	0.46(typical)		0.018(typical)	
H	15.75	16.25	0.620	0.640
J	0°	8°	0°	8°
I	0.95	1.45	0.037	0.057
X	0.76(typical)		0.030(typical)	
Y	2.54(typical)		0.100(typical)	
Z	17.00(typical)		0.670(typical)	