



A.C.E. 泰華達股份有限公司
ArchiCore Electronics CO., LTD



Product Specification

Product name	HL4P1004
Product Type	Transformer PTH type
System Application	QUAD 10/100Base Supporting AutoMdx function
Author	Sundi Lin
Approved By	Alvin Liou



泰華達股份有限公司

Archicore Electronics CO., LTD

地址: 高雄市前鎮區新衙路 288-6 號 7F-1(運通大樓 C 棟)

**Address: 7F-1, No. 288-6, Xinya 1 Rd., Chianjen District,
Kaohsiung City, 806, Taiwan**

Tel: +886-7-970-3268 FAX: +886-7-841-1851

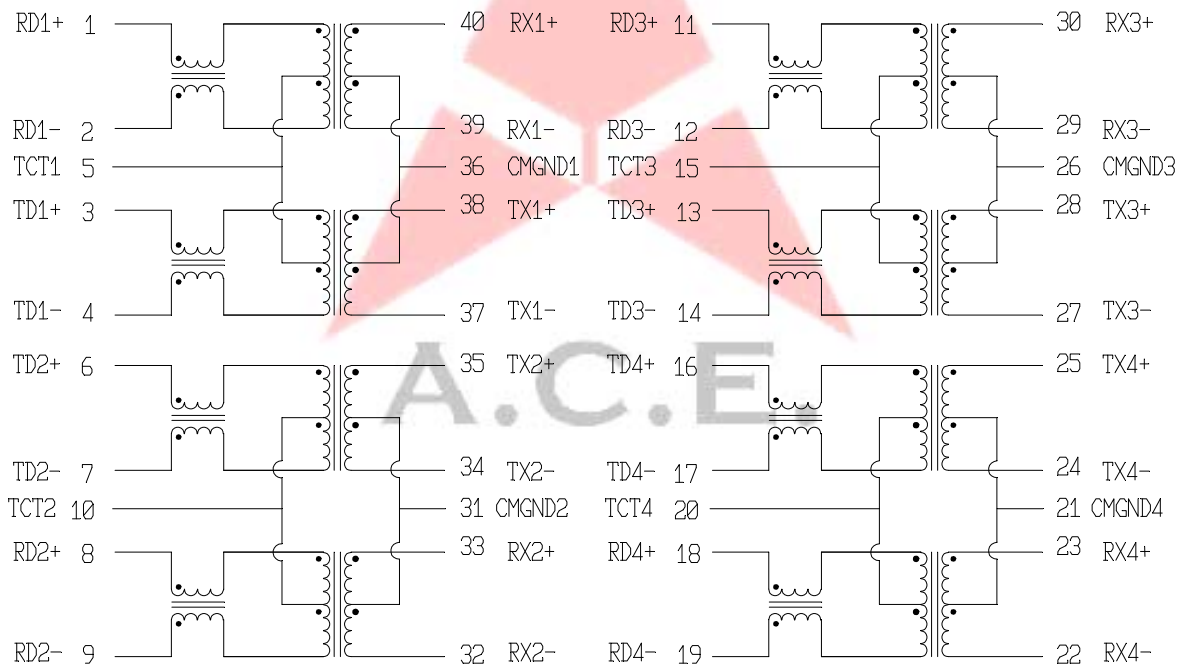


A.C.E. 泰華達股份有限公司
ArchiCore Electronics CO., LTD

Specifications :@ 25°C, operating temperature 0°C -70°C

- | | | |
|-------------------------|--|---|
| 1. Turn Ratio | 1CT :1CT ± 5% | Pin(1-2) : (40-39); Pin(3-4) : (38-37) |
| 2. Inductance(with 8mA) | 350uH Min. | Pin(1-2) ; Pin(3-4) , @100KHz,100mV, |
| 3. Insertion Loss | -1.0 dB Max. | @1-100MHz |
| 4. Return loss | -16 dB Min.
-13.5 dB Min.
-11.5 dB Min.
-10 dB Min. | @1-30MHz
@40MHz
@50MHz
@60-80MHz |
| 5. Cross talk | -40 dB Min.
-38 dB Min. | @1-60MHz
@60-100MHz |
| 6. Voltage isolation | 1500 vrms | |

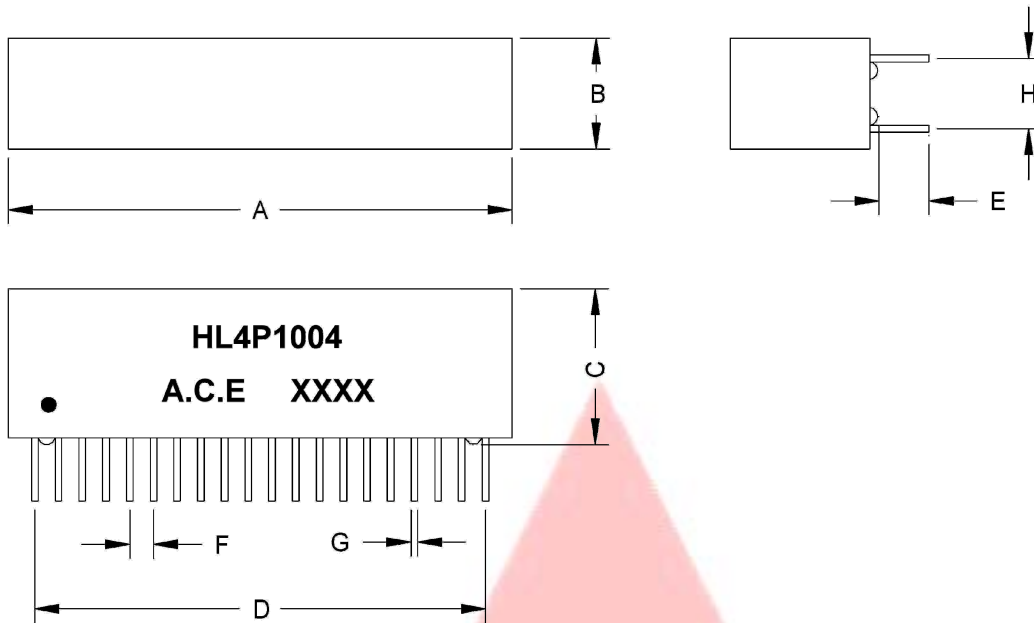
Schematic:





A.C.E. 泰華達股份有限公司
ArchiCore Electronics CO., LTD

Dimension :



DIM	MILLIMETERS		INCHES	
	MIN	MAX	MIN	MAX
A	37.55	38.05	1.478	1.498
B	7.55	8.05	0.297	0.317
C	11.25(max)		0.443(max)	
D	33.82(typical)		1.331(typical)	
E	2.95	3.45	0.116	0.136
F	1.78(typical)		0.070(typical)	
G	0.50(typical)		0.020(typical)	
H	4.80(typical)		0.189(typical)	



A.C.E. 泰華達股份有限公司
ArchiCore Electronics CO., LTD

Revision History:

Rev.	Author	Approved by	Description of change	Issued date
0	Sundi	Alvin	New release	11/10/2010

