



A.C.E. 泰華達股份有限公司
ArchiCore Electronics CO., LTD



Product Specification

Product name	HL4P1003
Product Type	Transformer Dip Type
System Application	QUAD 10/100Base Supporting AutoMdx Function
Author	Sundi Lin
Approved By	Alvin Liou



泰華達股份有限公司

Archicore Electronics CO., LTD

地址：高雄市前鎮區新衙路 288-6 號 7F-1(運通大樓 C 棟)

**Address: 7F-1, No. 288-6, Xinya 1 Rd., Chianjen District,
Kaohsiung City, 806, Taiwan**

Tel: +886-7-970-3268 FAX: +886-7-841-1851

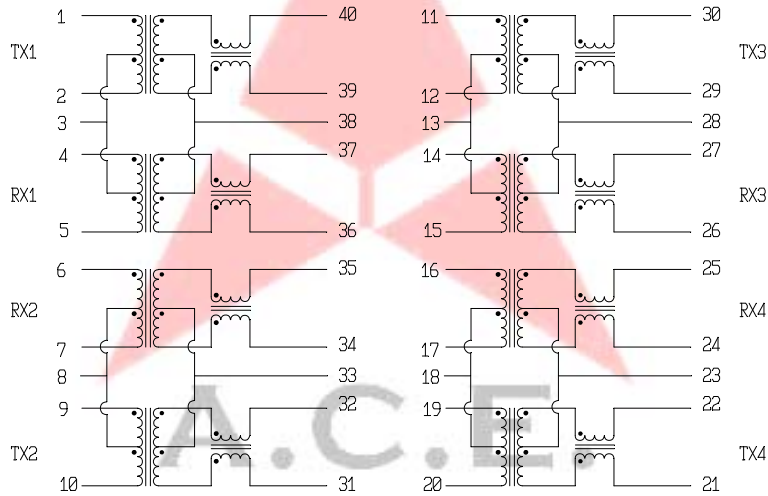


A.C.E. 泰華達股份有限公司
ArchiCore Electronics CO., LTD

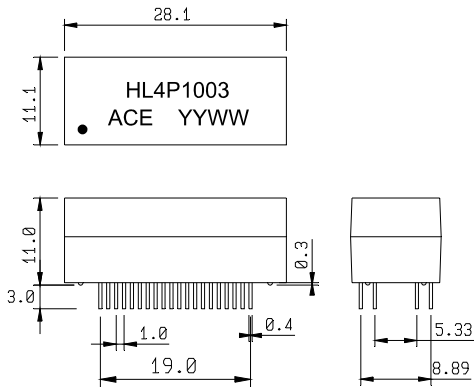
Specifications :@ 25⁰C, operating temperature 0^oC -70^oC

1. Turn Ratio	1CT :1CT ± 5%	TX , RX
2. Inductance(with 8mA)	350uH Min.	@100KHz,100mV,
3. Insertion Loss	-1.0 dB Max.	@1-100MHz
4. Return loss	-18 dB Min.	@1-30MHz
	-14.4 dB Min.	@40MHz
	-13.1 dB Min.	@50MHz
	-12 dB Min.	@60-80MHz
	-10 dB Min.	@100MHz
5. Cross talk	-40 dB Min.	@30MHz
	-35 dB Min.	@60MHz
	-30 dB Min.	@100MHz
6. Voltage isolation	1500 vrms	

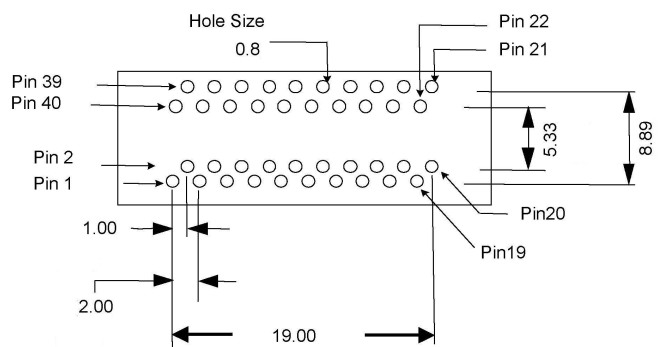
Schematic:



Dimension: +/-0.25 mm



PCB Layout: +/-0.25 mm





A.C.E. 泰華達股份有限公司
ArchiCore Electronics CO., LTD

Revision History:

Rev.	Author	Approved by	Description of change	Issued date
0	Sundi	Alvin	New release	11/12/2010

