



**A.C.E.** 泰華達股份有限公司  
ArchiCore Electronics CO., LTD



## Product Specification

<b>Product name</b>	<b>HL4P1002</b>
<b>Product Type</b>	<b>Transformer PTH type</b>
<b>System Application</b>	<b>QUAD 10/100Base Supporting AutoMdx function</b>
<b>Author</b>	<b>Sundi Lin</b>
<b>Approved By</b>	<b>Alvin Liou</b>



泰華達股份有限公司

**Archicore Electronics CO., LTD**

地址: 高雄市前鎮區新衙路 288-6 號 7F-1(運通大樓 C 棟)

**Address: 7F-1, No. 288-6, Xinya 1 Rd., Chianjen District,  
Kaohsiung City, 806, Taiwan**

**Tel: +886-7-970-3268    FAX: +886-7-841-1851**

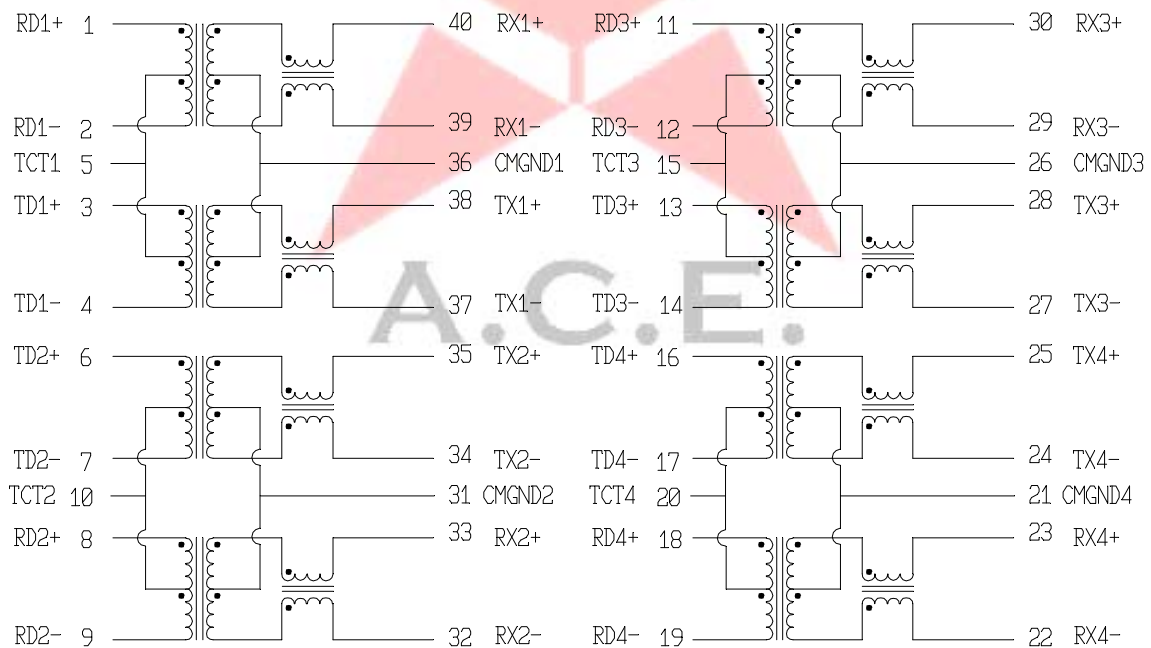


**A.C.E.** 泰華達股份有限公司  
ArchiCore Electronics CO., LTD

Specifications : @ 25°C, operating temperature 0°C -70°C

1. Turn Ratio	1CT :1CT ± 5%	Pin(1-2) : (40-39); Pin(3-4) : (38-37)
2. Inductance(with 8mA)	350uH Min.	Pin(1-2) ; Pin(3-4) , @100KHz,100mV,
3. Insertion Loss	-1.0 dB Max.	@1-100MHz
4. Return loss	-16 dB Min.	@1-30MHz
	-13.5 dB Min.	@40MHz
	-11.5 dB Min.	@50MHz
	-10 dB Min.	@60-80MHz
5. Cross talk	-40 dB Min.	@1-60MHz
	-38 dB Min.	@60-100MHz
6. Voltage isolation	1500 vrms	

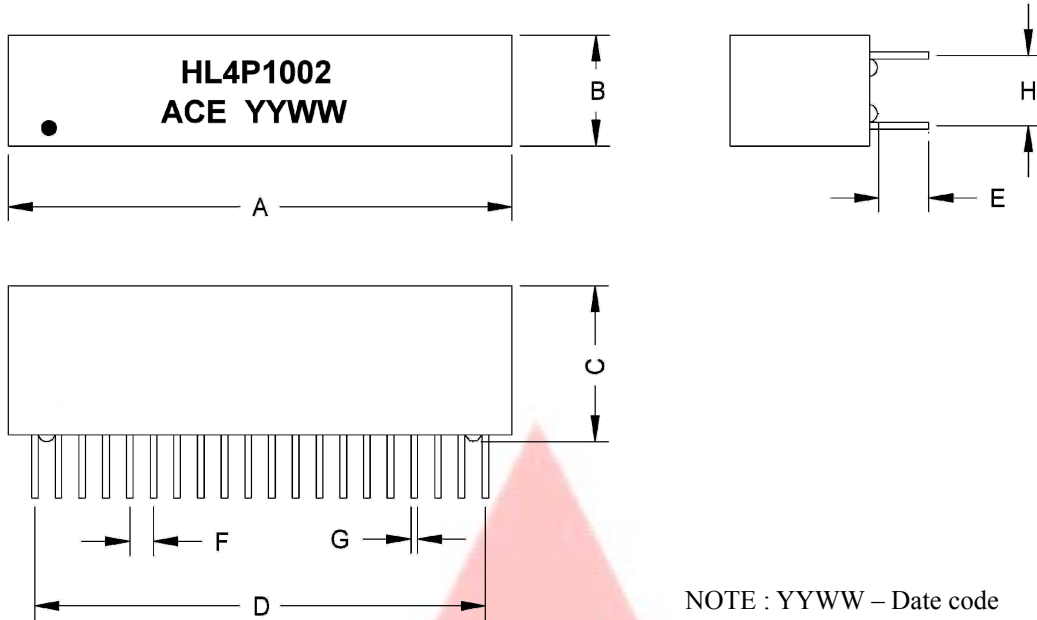
Schematic:





**A.C.E.** 泰華達股份有限公司  
ArchiCore Electronics CO., LTD

Dimension :



DIM	MILLIMETERS		INCHES	
	MIN	MAX	MIN	MAX
A	37.55	38.05	1.478	1.498
B	7.55	8.05	0.297	0.317
C	9.8	11.25	0.386	0.443
D	33.72	33.92	1.328	1.335
E	2.25	2.75	0.0885	0.1082
F	1.73	1.83	0.068	0.072
G	0.45	0.55	0.018	0.022
H	4.55	5.05	0.179	0.199



**A.C.E.** 泰華達股份有限公司  
ArchiCore Electronics CO., LTD

**Revision History:**

Rev.	Author	Approved by	Description of change	Issued date
0	Timmy	Sundi	New release	2010/9/8
1	Sundi	Alvin	Modified Dimension	2011/1/4
2	Sundi	Alvin	Modified Printing	2011/3/10

