



A.C.E. 泰華達股份有限公司
ArchiCore Electronics CO., LTD



Product Specification

Product name	HL406001
Product Type	Transformer SMT type
System Application	QUAD 10/100Base Supporting AutoMdx function
Author	Sundi Lin
Approved By	Alvin Liou



泰華達股份有限公司

Archicore Electronics CO., LTD

地址: 高雄市前鎮區新衙路 288-6 號 7F-1(運通大樓 C 棟)

**Address: 7F-1, No. 288-6, Xinya 1 Rd., Chianjen District,
Kaohsiung City, 806, Taiwan**

Tel: +886-7-970-3268 FAX: +886-7-841-1851

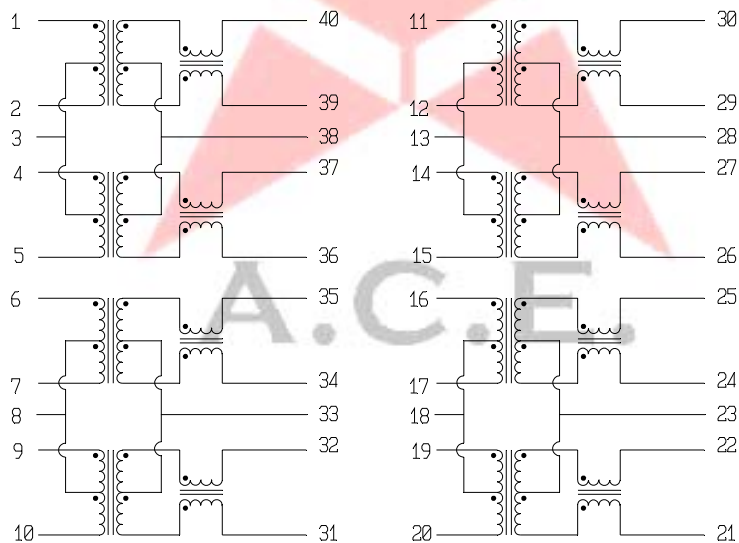


A.C.E. 泰華達股份有限公司
ArchiCore Electronics CO., LTD

Specifications :@ 25°C, operating temperature 0°C -70°C

- | | | |
|-------------------------|--|---|
| 1. Turn Ratio | 1CT :1CT ± 5% | Pin(1-2) : (40-39); Pin(4-5) : (37-36) |
| 2. Inductance(with 8mA) | 350uH Min. | Pin(1-2) & Pin(4-5) , @100KHz, 100mV, |
| 3. Insertion Loss | -1.0 dB Max. | @1-100MHz |
| 4. Return loss | -16 dB Min.
-13.5 dB Min.
-11.5 dB Min.
-10 dB Min. | @1-30MHz
@40MHz
@50MHz
@60-80MHz |
| 5. Cross talk | -40 dB Min.
-38 dB Min. | @1-60MHz
@60-100MHz |
| 6. Voltage isolation | 1500 vrms | |

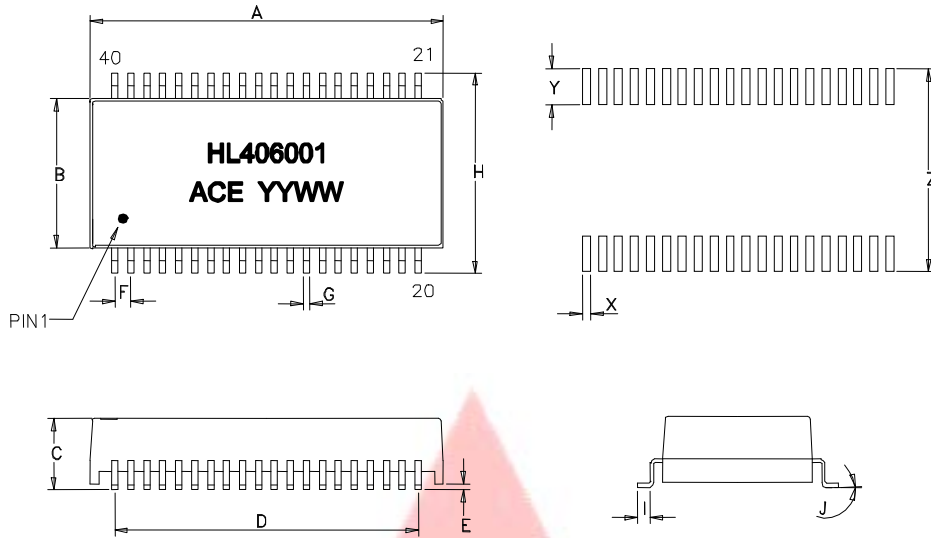
Schematic:





A.C.E. 泰華達股份有限公司
ArchiCore Electronics CO., LTD

Dimension :



NOTE: YYWW-Date code

DIM	MILLIMETERS		INCHES	
	MIN	MAX	MIN	MAX
A	27.50	28.50	1.083	1.122
B	11.70	12.70	0.461	0.500
C	5.35	5.95	0.211	0.234
D	23.88	24.38	0.9401	0.96
E	0.15	0.45	0.006	0.018
F	1.02	1.52	0.040	0.060
G	0.21	0.71	0.008	0.028
H	15.75	16.25	0.620	0.640
J	0°	8°	0°	8°
I	0.95	1.45	0.037	0.057
X	0.51	1.01	0.020	0.0397
Y	2.29	2.79	0.090	0.110
Z	16.75	17.25	0.659	0.679



A.C.E. 泰華達股份有限公司
ArchiCore Electronics CO., LTD

Revision History:

Rev.	Author	Approved by	Description of change	Issued date
0	Sundi	Feilong	New release	2009/08/05
1	Sundi	Alvin	Modified dimension	2011/1/4

