



A.C.E. 泰華達股份有限公司
ArchiCore Electronics CO., LTD

Product Specification

Product name	HL2P1004
Product Type	Transformer PTH Type
System Application	10/100 BASE Module
Author	Cathy Huang
Approved By	Sundi Lin
RoHS Compliant	

A.C.E.

泰華達股份有限公司

Archicore Electronics CO., LTD

地址：高雄市前鎮區新衙路 288-6 號 7F-1(運通大樓 C 棟)

**Address: 7F-1, No. 288-6, Xinya 1 Rd., Chianjen District,
Kaohsiung City, 806, Taiwan**

Tel: +886-7-970-3268 FAX: +886-7-841-1851

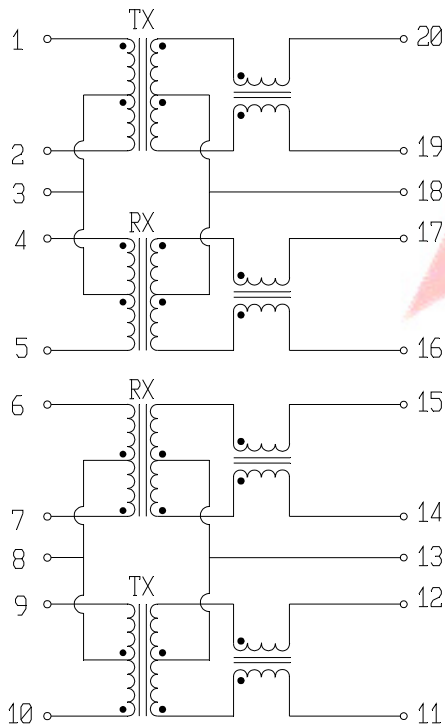


A.C.E. 泰華達股份有限公司
ArchiCore Electronics CO., LTD

Specifications : @ 25°C, operating temperature 0°C -70°C

1. Turn Ratio	1CT :1CT ± 5%	Pin(1-2) : (20-19); Pin(4-5) : (17-16)
2. Inductance(with 8mA)	350uH Min.	Pin(1-2) & Pin(5-4) , @100KHz, 100mV,
3. Insertion Loss	-1.0 dB Max.	@1-100MHz
4. Return loss	-16 dB Min. -10 dB Min.	@1-30MHz @60-80MHz
5. Cross talk	-40 dB Min. -38 dB Min.	@1-60MHz @60-100MHz
6. Voltage isolation	1500 vrms	

Schematic:



Dimension:

