



A.C.E. 泰華達股份有限公司
ArchiCore Electronics CO., LTD



Product Specification

Product name	HL2P1003
Product Type	Transformer PTH Type
System Application	10/100 BASE Module
Author	Sundi Lin
Approved By	Alvin Liou



泰華達股份有限公司

Archicore Electronics CO., LTD

地址：高雄市前鎮區新衙路 288-6 號 7F-1(運通大樓 C 棟)

Address: 7F-1, No. 288-6, Xinya 1 Rd., Chianjen District,

Kaohsiung City, 806, Taiwan

Tel: +886-7-970-3268 FAX: +886-7-841-1851



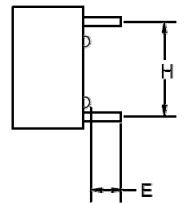
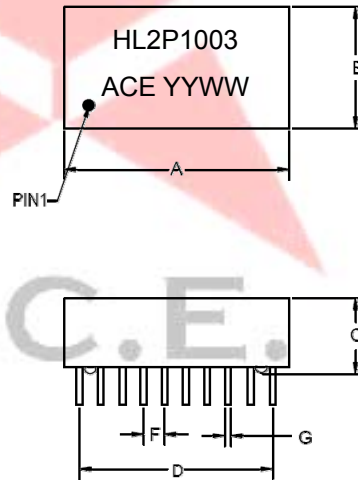
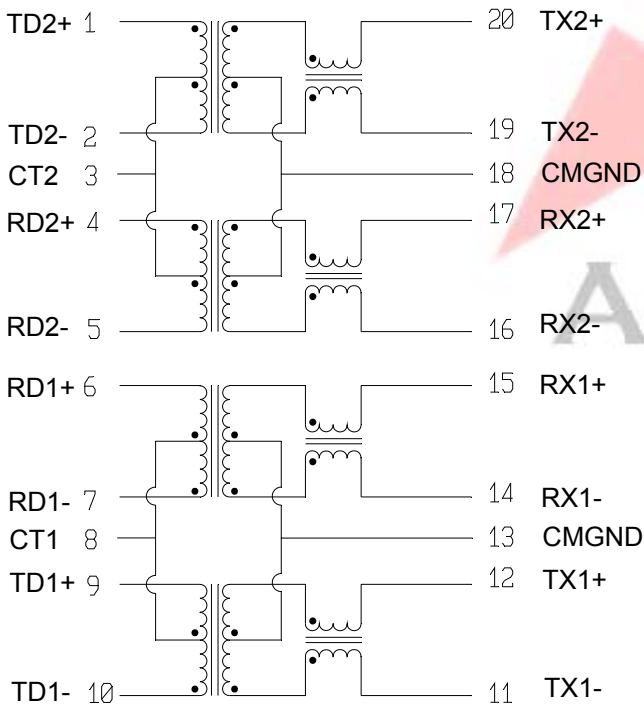
A.C.E. 泰華達股份有限公司
ArchiCore Electronics CO., LTD

Specifications :@ 25°C, operating temperature 0°C -70°C

1. Turn Ratio	1CT :1CT ± 5%	TX ; RX
2. Inductance	350uH Min.	@100KHz , 100mV with 8mA DC Bias
3. Insertion Loss	-1.0 dB Max.	@1-100MHz
4. Return loss	-16 dB Min. -13.5 dB Min. -11.5 dB Min. -10 dB Min.	@1-30MHz @40MHz @50MHz @60-80MHz
5. Cross talk	-40 dB Min. -38 dB Min.	@1-60MHz @60-100MHz
6. Voltage isolation	1500 vrms	

Schematic:

Mechanical:



DIM	MILLIMETERS		INCHES	
	MIN	MAX	MIN	MAX
A	21.35(max)		0.841(max)	
B	9.53	10.03	0.375	0.395
C	6.35(max)		0.250(max)	
D	18.00(typical)		0.709(typical)	
E	3.10	3.50	0.122	0.138
F	2.00(typical)		0.079(typical)	
G	0.50(typical)		0.020(typical)	
H	7.62(typical)		0.300(typical)	



A.C.E. 泰華達股份有限公司
ArchiCore Electronics CO., LTD

Revision History:

Rev.	Author	Approved by	Description of change	Issued date
0	Cathy	Sundi	New release	06/07/2009
1	Sundi	Alvin	Modified Mechanical	2010/12/13

