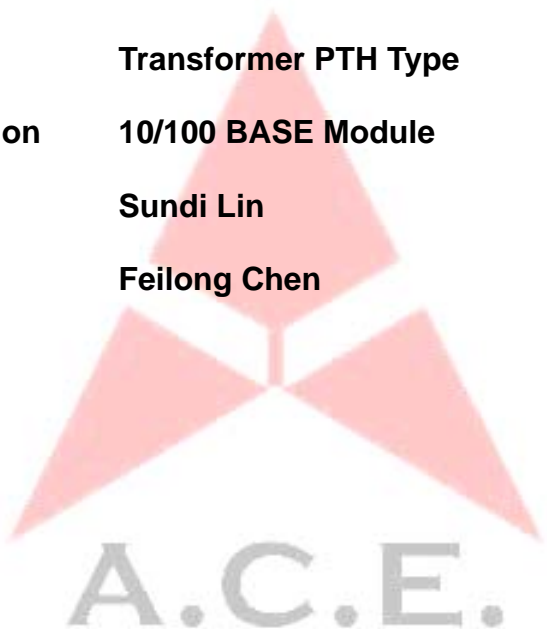




A.C.E. 泰華達股份有限公司
ArchiCore Electronics CO., LTD

Product Specification

Product name	HL202003
Product Type	Transformer PTH Type
System Application	10/100 BASE Module
Author	Sundi Lin
Approved By	Feilong Chen
RoHS Compliant	



泰華達股份有限公司

Archicore Electronics CO., LTD

地址：高雄市前鎮區新衙路 288-6 號 7F-1(運通大樓 C 棟)

**Address: 7F-1, No. 288-6, Xinya 1 Rd., Chianjen District,
Kaohsiung City, 806, Taiwan**

Tel: +886-7-970-3268 FAX: +886-7-841-1851

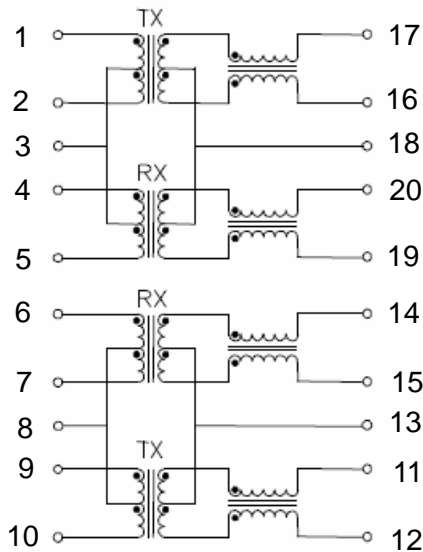


A.C.E. 泰華達股份有限公司
ArchiCore Electronics CO., LTD

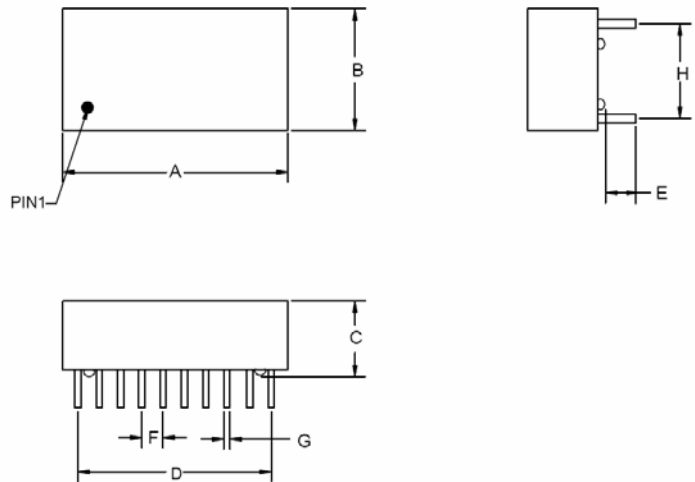
Specifications : @ 25°C, operating temperature 0°C -70°C

- | | | |
|-------------------------|--------------------------------------------------------------|-------------------------------------------|
| 1. Turn Ratio | 1CT :1CT ± 5% | Pin(1-2) : (20-19); Pin(4-5) : (17-16) |
| 2. Inductance(with 8mA) | 350uH Min. | Pin(1-2) & Pin(4-5) , @100KHz, 100mV, |
| 3. Insertion Loss | -1.0 dB Max. | @1-100MHz |
| 4. Return loss | -16 dB Min.
-13.5 dB Min.
-11.5 dB Min.
-10 dB Min. | @1-30MHz
@40MHz
@50MHz
@60-80MHz |
| 5. Cross talk | -40 dB Min.
-38 dB Min. | @1-60MHz
@60-100MHz |
| 6. Voltage isolation | 1500 vrms | |

Schematic:



Dimension:



DIM	MILLIMETERS		INCHES	
	MIN	MAX	MIN	MAX
A	21.35(max)		0.841(max)	
B	9.53	10.03	0.375	0.395
C	6.35(max)		0.250(max)	
D	18.00(typical)		0.709(typical)	
E	3.10	3.50	0.122	0.138
F	2.00(typical)		0.079(typical)	
G	0.50(typical)		0.020(typical)	
H	7.62(typical)		0.300(typical)	