



A.C.E. 泰華達股份有限公司
ArchiCore Electronics CO., LTD



Product Specification

Product name	HL202002
Product Type	20pins Magnetic Module
System Application	10/100Base Transformer module
Author	Sundi Lin
Approved By	Alvin Liou

A.C.E.

泰華達股份有限公司

Archicore Electronics CO., LTD

地址: 高雄市前鎮區新衙路 288-6 號 7F-1(運通大樓 C 棟)

Address: 7F-1, No. 288-6, Xinya 1 Rd., Chianjen District,

Kaohsiung City, 806, Taiwan

Tel: +886-7-970-3268 FAX: +886-7-841-1851

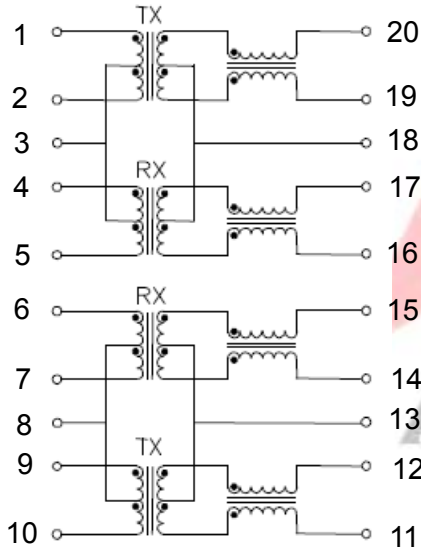


A.C.E. 泰華達股份有限公司
ArchiCore Electronics CO., LTD

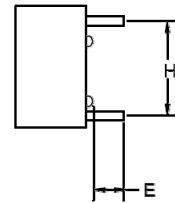
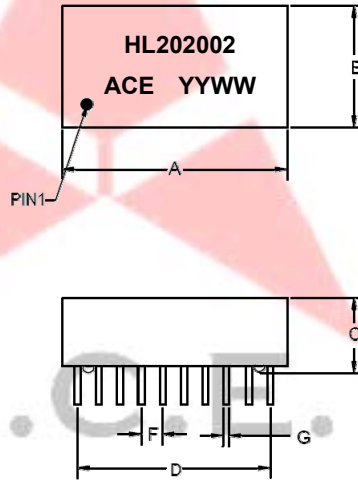
Specifications :@ 25⁰C, operating temperature 0⁰C -70⁰C

1. Turn Ratio	1CT:1CT ± 5%	Pin(1-2) : (20-19)
2. Inductance(with 8mA)	350uH Min.	@100KHz, 100mV , Pin(1-2) ; Pin(4-5)
3. Insertion Loss	-1.0 dB Max.	@1-100MHz
4. Return loss	-18 dB Min.	@1-30MHz
	-14.4 dB Min.	@40MHz
	-13.1 dB Min.	@50MHz
	-12 dB Min.	@60-80MHz
	-10 dB Min.	@100MHz
5. Cross talk	-40 dB Min.	@1-60MHz
	-38 dB Min.	@60MHz-100MHz
6. Voltage isolation	1500 vrms	

Schematic:



Dimension: +/-0.25 mm



NOTE: YYWW – Date code

DIM	MILLIMETERS		INCHES	
	MIN	MAX	MIN	MAX
A	25.10	25.70	0.988	1.012
B	9.68	10.28	0.381	0.405
C	5.75	6.75	0.226	0.2657
D	22.61	23.11	0.89	0.909
E	2.25	2.75	0.0885	0.1082
F	2.39	2.69	0.094	0.106
G	0.45	0.55	0.0177	0.0216
H	7.37	7.87	0.290	0.400



A.C.E. 泰華達股份有限公司
ArchiCore Electronics CO., LTD

Revision History:

Rev.	Author	Approved by	Description of change	Issued date
0	Timmy	Sundi	New release	2009/02/23
1	Sundi	Alvin	Modified dimension	2011/1/04

