



A.C.E. 泰華達股份有限公司
ArchiCore Electronics CO., LTD



Product Specification

Product name	HL1P2004
Product Type	10/100BASE
System Application	SMD Type Transformer Module
Author	Alvin Liou
Approved By	Sundi Lin



泰華達股份有限公司

Archicore Electronics CO., LTD

地址: 高雄市前鎮區新衙路 288-6 號 7F-1(運通大樓 C 棟)

**Address: 7F-1, No. 288-6, Xinya 1 Rd., Chianjen District,
Kaohsiung City, 806, Taiwan**

Tel: +886-7-970-3268 FAX: +886-7-841-1851



A.C.E. 泰華達股份有限公司
ArchiCore Electronics CO., LTD

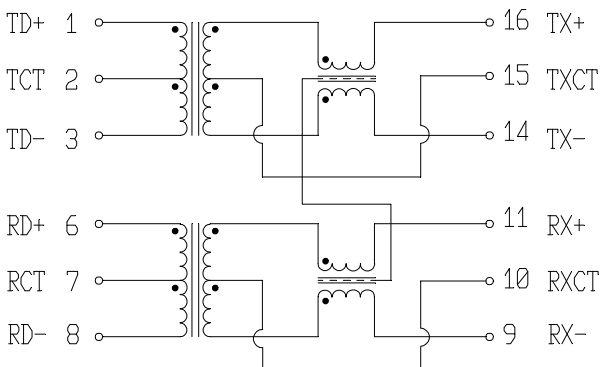
Feature:

Design to meet IEEE 802.3af requirement.

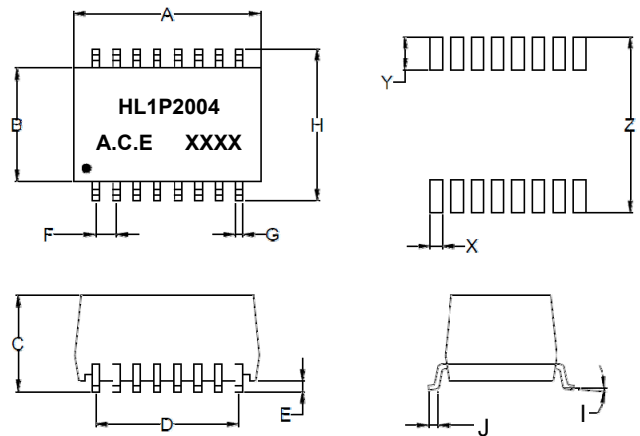
Specifications :@ 25°C, operating temperature 0°C -70°C

- 1. Turn Ratio 1CT :1CT ± 5%
- 2. Inductance(with 8mA) 350uH Min.
- 3. Insertion Loss -1.0 dB Max. @1-100MHz
- 4. Return loss -16 dB Min. @1-30MHz
- 13.5 dB Min. @40MHz
- 11.5 dB Min. @50MHz
- 10 dB Min. @60-80MHz
- 5. Cross talk -40 dB Min. @1-60MHz
- 38 dB Min. @60-100MHz
- 6. Voltage isolation 1500 vrms

Schematic:



Dimension:



DIM	MILLIMETERS		INCHES	
	MIN	MAX	MIN	MAX
A	12.10	13.10	0.476	0.516
B	6.50	7.50	0.256	0.295
C	4.75	5.84	0.187	0.230
D	8.64	9.14	0.240	0.360
E	0.15	0.45	0.006	0.018
F	1.02	1.52	0.040	0.060
G	0.35	0.6	0.0138	0.0236
H	9.10	9.70	0.358	0.382
I	0°	8°	0°	8°
J	0.45	0.95	0.018	0.037
X	0.51	1.01	0.0200	0.0397
Y	1.78	2.28	0.0700	0.0898
Z	10.42	10.92	0.410	0.430



A.C.E. 泰華達股份有限公司
ArchiCore Electronics CO., LTD

Revision History:

Rev.	Author	Approved by	Description of change	Issued date
0	Timmy	Sundi	New release	2010/09/08
1	Sundi	Alvin	Modified dimension	2011/1/10
2	Alvin	Sundi	add "Design to meet IEEE 802.3af requirement"	2011/1/14