



A.C.E. 泰華達股份有限公司
ArchiCore Electronics CO., LTD



Product Specification

Product name	HL1P1011
Product Type	PTH Type Transformer Module
System Application	10/100BASE
Author	Alvin Liou
Approved By	Sundi Lin



泰華達股份有限公司

Archicore Electronics CO., LTD

地址: 高雄市前鎮區新衙路 288-6 號 7F-1(運通大樓 C 棟)

**Address: 7F-1, No. 288-6, Xinya 1 Rd., Chianjen District,
Kaohsiung City, 806, Taiwan**

Tel: +886-7-970-3268 FAX: +886-7-841-1851



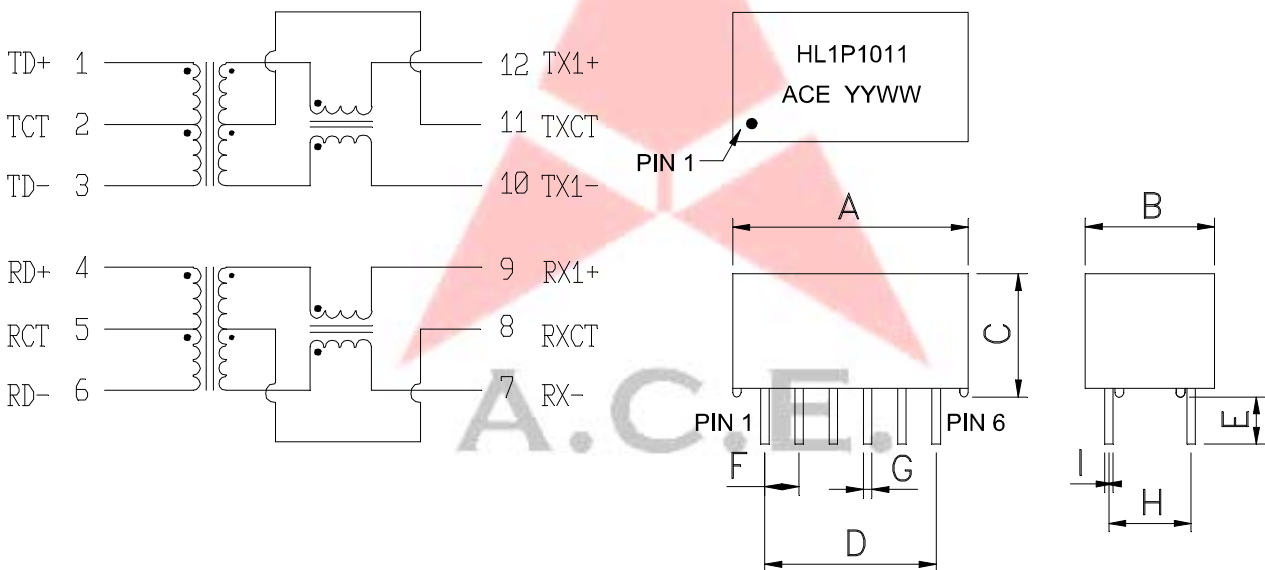
A.C.E. 泰華達股份有限公司
ArchiCore Electronics CO., LTD

Specifications : @ 25°C, operating temperature 0°C -70°C

- | | | |
|-------------------------|---------------|-----------------|
| 1. Turn Ratio | 1CT :1CT ± 5% | |
| 2. Inductance(with 8mA) | 350uH Min. | @100KHz, 100mV, |
| 3. Insertion Loss | -1.1 dB Max. | @1-100MHz |
| 4. Return loss | -18.0 dB Min. | @1-30MHz |
| | -16.0 dB Min. | @40MHz |
| | -14.5 dB Min. | @50MHz |
| | -12.0 dB Min. | @60-80MHz |
| 5. Cross talk | -42 dB Min. | @1-60MHz |
| | -35 dB Min. | @60-100MHz |
| 6. Voltage isolation | 1500 vrms | |

Schematic:

Dimension:



DIM	MILLIMETERS		INCHES	
	MIN	MAX	MIN	MAX
A	13.75	14.25	0.541	0.561
B	7.55	8.05	0.297	0.317
C	7.20(max)		0.394(max)	
D	10.00(typical)		0.394(typical)	
E	2.75	3.25	0.108	0.128
F	2.00(typical)		0.079(typical)	
G	0.50(typical)		0.020(typical)	
H	4.80(typical)		0.189(typical)	
I	0.50(typical)		0.020(typical)	



A.C.E. 泰華達股份有限公司
ArchiCore Electronics CO., LTD

Revision History:

Rev.	Author	Approved by	Description of change	Issued date
0	Alvin	Sundi	New release	2011/2/14
1	Alvin	Sundi	Modify Dimension	2011/2/16

