



**A.C.E.** 泰華達股份有限公司  
ArchiCore Electronics CO., LTD



## Product Specification

<b>Product name</b>	<b>HL1P1009</b>
<b>Product Type</b>	<b>10/100BASE</b>
<b>System Application</b>	<b>PTH Type Transformer Module</b>
<b>Author</b>	<b>Sundi Lin</b>
<b>Approved By</b>	<b>Alvin Liou</b>



泰華達股份有限公司

**Archicore Electronics CO., LTD**

地址: 高雄市前鎮區新衙路 288-6 號 7F-1(運通大樓 C 棟)

**Address: 7F-1, No. 288-6, Xinya 1 Rd., Chianjen District,  
Kaohsiung City, 806, Taiwan**

**Tel: +886-7-970-3268    FAX: +886-7-841-1851**

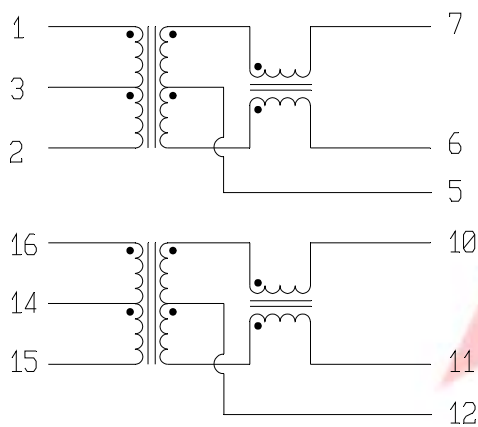


**A.C.E.** 泰華達股份有限公司  
ArchiCore Electronics CO., LTD

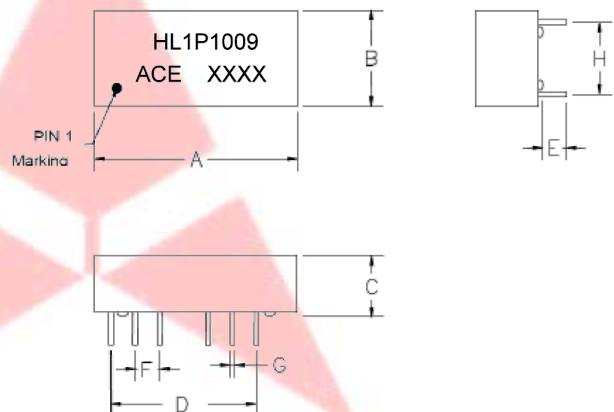
Specifications : @ 25°C, operating temperature 0°C -70°C

- |                         |  |   |
|-------------------------|--|---|
| 1. Turn Ratio           | 1CT :1CT ± 5%  | Pin(1-2) : (7-6) ; Pin(16-15) : (10-11)   |
| 2. Inductance(with 8mA) | 350uH Min.   | Pin(1-2) & Pin(16-15) , @100KHz,100mV,    |
| 3. Insertion Loss       | -1.0 dB Max.   | @1-100MHz                                 |
| 4. Return loss          | -16 dB Min.<br>-13.5 dB Min.<br>-11.5 dB Min.<br>-10 dB Min. | @1-30MHz<br>@40MHz<br>@50MHz<br>@60-80MHz |
| 5. Cross talk           | -40 dB Min.<br>-38 dB Min.                                   | @1-60MHz<br>@60-100MHz                    |
| 6. Voltage isolation    | 1500 vrms  |   |

Schematic:



Dimension: +/-0.25 mm



DIM	MILLIMETERS		INCHES	
	MIN	MAX	MIN	MAX
A	20.00	20.60	0.780	0.819
B	9.30	9.90	0.370	0.409
C	6.75(max)		0.266(max)	
D	15.24(typical)		0.600(typical)	
E	3.00	3.60	0.118	0.142
F	2.54(typical)		0.100(typical)	
G	0.50(typical)		0.026(typical)	
H	7.62(typical)		0.300(typical)	



**A.C.E.** 泰華達股份有限公司  
ArchiCore Electronics CO., LTD

**Revision History:**

Rev.	Author	Approved by	Description of change	Issued date
0	Sundi	Alvin	New release	12/06/2010

