



A.C.E. 泰華達股份有限公司
ArchiCore Electronics CO., LTD



Product Specification

Product name	HL1P1008
Product Type	12Pins PTH Type Transformer Module
System Application	10/100BASE
Author	Sundi Lin
Approved By	Alvin Liou

A.C.E.

泰華達股份有限公司

Archicore Electronics CO., LTD

地址: 高雄市前鎮區新衙路 288-6 號 7F-1(運通大樓 C 棟)

**Address: 7F-1, No. 288-6, Xinya 1 Rd., Chianjen District,
Kaohsiung City, 806, Taiwan**

Tel: +886-7-970-3268 FAX: +886-7-841-1851

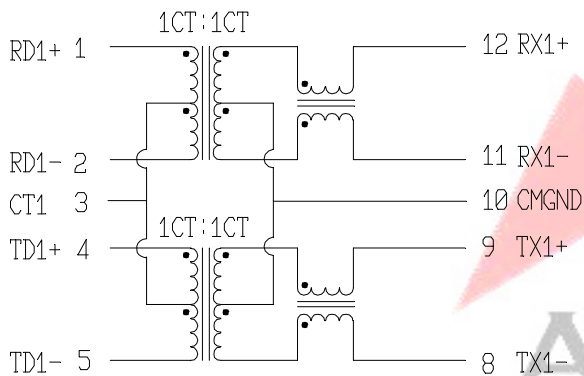


A.C.E. 泰華達股份有限公司
ArchiCore Electronics CO., LTD

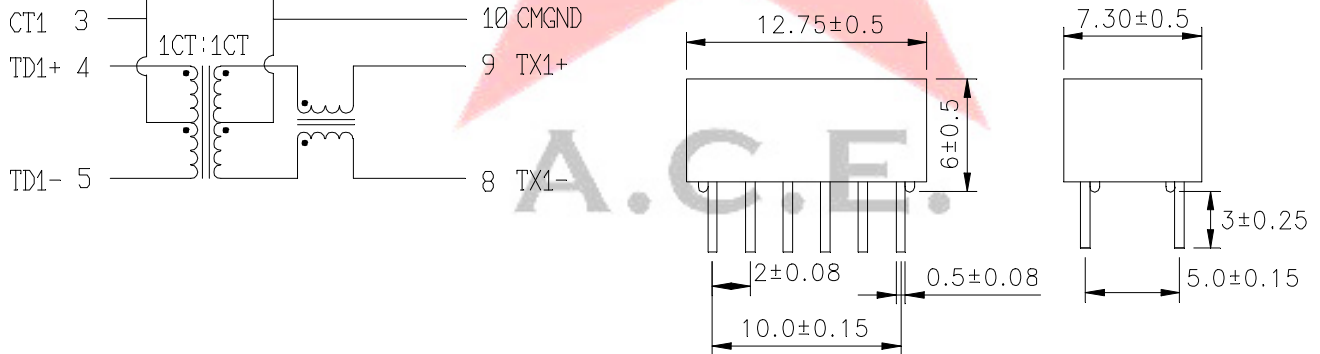
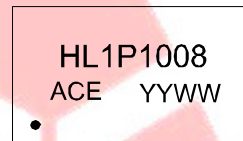
Specifications : @ 25°C, operating temperature 0°C -70°C

- | | |
|--------------------------|---|
| 1. Turn Ratio | 1CT : 1CT ± 5% |
| 2. Inductance (with 8mA) | 350uH Min. |
| 3. Insertion Loss | -1.0 dB Max. @1-100MHz |
| 4. Return loss | -16 dB Min. @1-30MHz
-13.5 dB Min. @40MHz
-11.5 dB Min. @50MHz
-10 dB Min. @60-80MHz |
| 5. Cross talk | -40 dB Min. @1-60MHz
-38 dB Min. @60-100MHz |
| 6. Voltage isolation | 1500 vrms |

Schematic:



Dimension: mm



Note: YYWW – Date Code



A.C.E. 泰華達股份有限公司
ArchiCore Electronics CO., LTD

Revision History:

Rev.	Author	Approved by	Description of change	Issued date
0	Sundi	Alvin	New release	2011/04/06

