

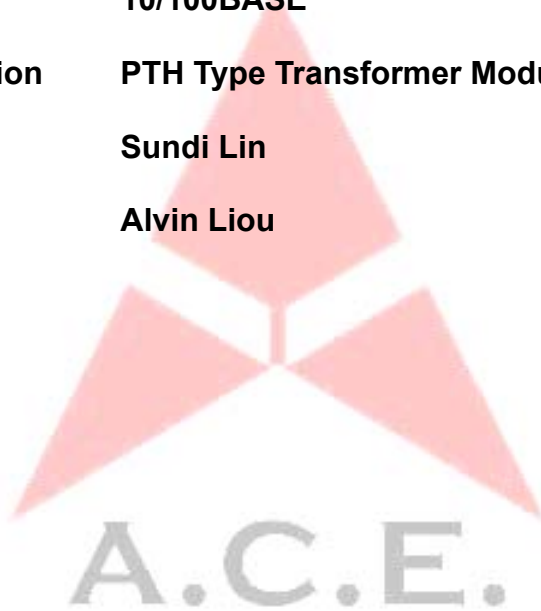


**A.C.E.** 泰華達股份有限公司  
ArchiCore Electronics CO., LTD



## Product Specification

<b>Product name</b>	<b>HL1P1007</b>
<b>Product Type</b>	<b>10/100BASE</b>
<b>System Application</b>	<b>PTH Type Transformer Module</b>
<b>Author</b>	<b>Sundi Lin</b>
<b>Approved By</b>	<b>Alvin Liou</b>



泰華達股份有限公司

**Archicore Electronics CO., LTD**

地址：高雄市前鎮區新衙路 288-6 號 7F-1(運通大樓 C 棟)

**Address: 7F-1, No. 288-6, Xinya 1 Rd., Chianjen District,**

**Kaohsiung City, 806, Taiwan**

**Tel: +886-7-970-3268    FAX: +886-7-841-1851**

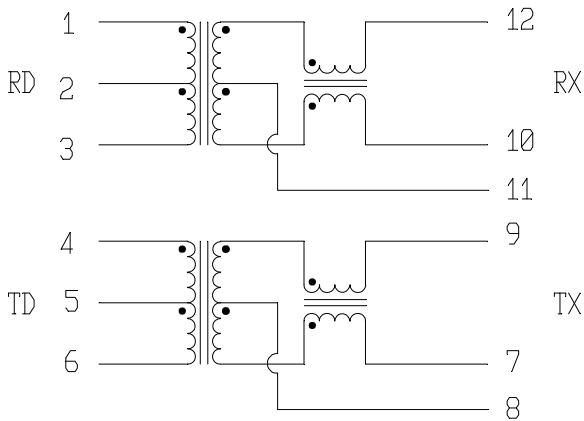


**A.C.E.** 泰華達股份有限公司  
 ArchiCore Electronics CO., LTD

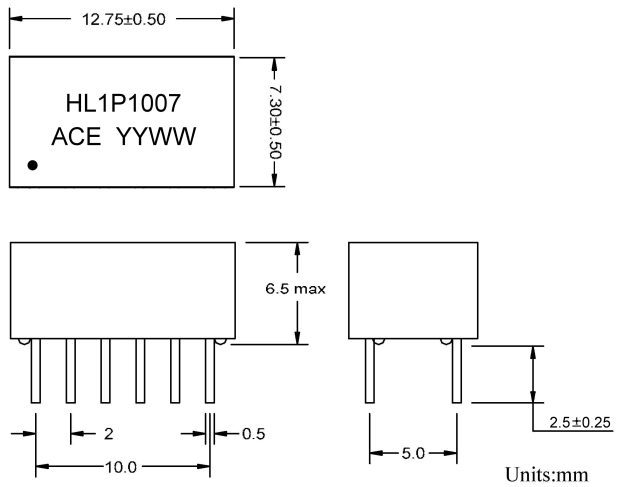
Specifications : @ 25°C, operating temperature 0°C -70°C

1. Turn Ratio	1CT :1CT ± 5%	Pin(1-3) : (12-10) ; Pin(4-6) : (9-7)
2. Inductance(with 8mA)	350uH Min.	Pin(1-3) ; Pin(4-6) , @100KHz,100mV
3. Insertion Loss	-1.0 dB Max.	@1-100MHz
4. Return loss	-16 dB Min. -13.5 dB Min. -11.5 dB Min. -10 dB Min.	@1-30MHz @40MHz @50MHz @60-80MHz
5. Cross talk	-40 dB Min. -38 dB Min.	@1-60MHz @60-100MHz
6. Voltage isolation	1500 vrms	

Schematic:



Dimension: ±0.25



NOTE: YYWW – Date code



**A.C.E.** 泰華達股份有限公司  
ArchiCore Electronics CO., LTD

**Revision History:**

Rev.	Author	Approved by	Description of change	Issued date
0	Timmy	Sundi	New release	2010/9/8
1	Sundi	Alvin	Modified Dimension	2011/1/4
2	Sundi	Alvin	Modified Printing	2011/3/10