



A.C.E. 泰華達股份有限公司
ArchiCore Electronics CO., LTD

Product Specification

Product name	HL1P1006
Product Type	10/100BASE
System Application	PTH Type Transformer Module
Author	Cathy Huang
Approved By	Sundi Lin
RoHS Compliant	

A.C.E.

泰華達股份有限公司

Archicore Electronics CO., LTD

地址: 高雄市前鎮區新衙路 288-6 號 7F-1(運通大樓 C 棟)

**Address: 7F-1, No. 288-6, Xinya 1 Rd., Chianjen District,
Kaohsiung City, 806, Taiwan**

Tel: +886-7-970-3268 FAX: +886-7-841-1851

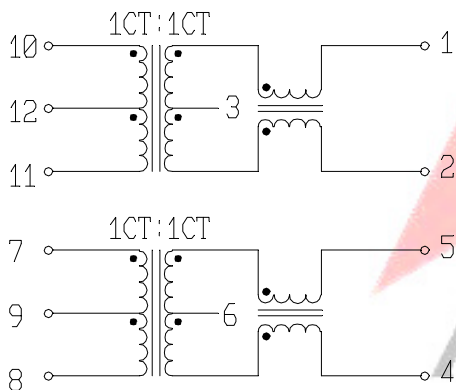


A.C.E. 泰華達股份有限公司
ArchiCore Electronics CO., LTD

Specifications : @ 25°C, operating temperature 0°C -70°C

- | | | |
|-------------------------|--|---|
| 1. Turn Ratio | 1CT :1CT ± 5% | Pin(1-2) : (10-11); Pin(5-4) : (7-8) |
| 2. Inductance(with 8mA) | 400uH Min. | Pin(4-5) & Pin(2-1) , @100KHz, 100mV, |
| 3. Insertion Loss | -0.6 dB Max. | @1-100MHz |
| 4. Return loss | -16 dB Min.
-13.5 dB Min.
-11.5 dB Min.
-10 dB Min. | @1-30MHz
@40MHz
@50MHz
@60-80MHz |
| 5. Cww | 25 pf max. | Pin(8-4) ; Pin(11-2) |
| 6. HI-POT | 1800Vrms/10mA
1sec | |

Schematic:



Dimension:

