

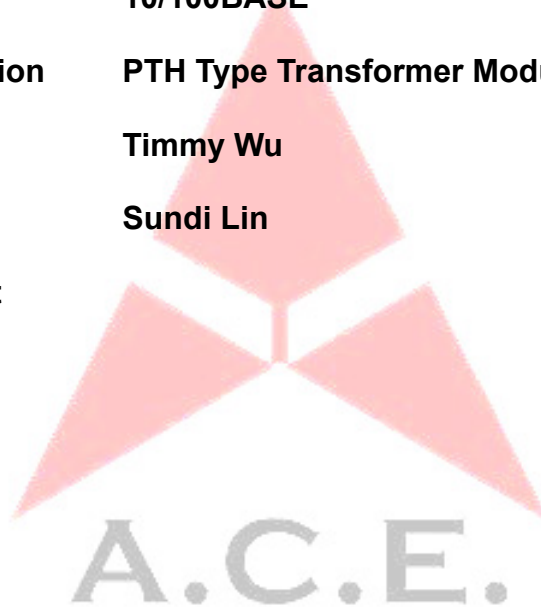


A.C.E. 泰華達股份有限公司
ArchiCore Electronics CO., LTD



Product Specification

Product name	HL1P1002
Product Type	10/100BASE
System Application	PTH Type Transformer Module
Author	Timmy Wu
Approved By	Sundi Lin
RoHS Compliant	



泰華達股份有限公司

Archicore Electronics CO., LTD

地址: 高雄市前鎮區新衙路 288-6 號 7F-1(運通大樓 C 棟)

**Address: 7F-1, No. 288-6, Xinya 1 Rd., Chianjen District,
Kaohsiung City, 806, Taiwan**

Tel: +886-7-970-3268 FAX: +886-7-841-1851

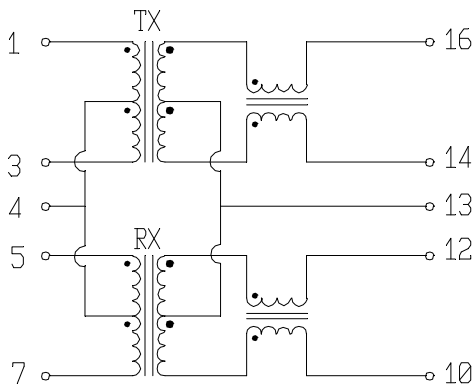


A.C.E. 泰華達股份有限公司
ArchiCore Electronics CO., LTD

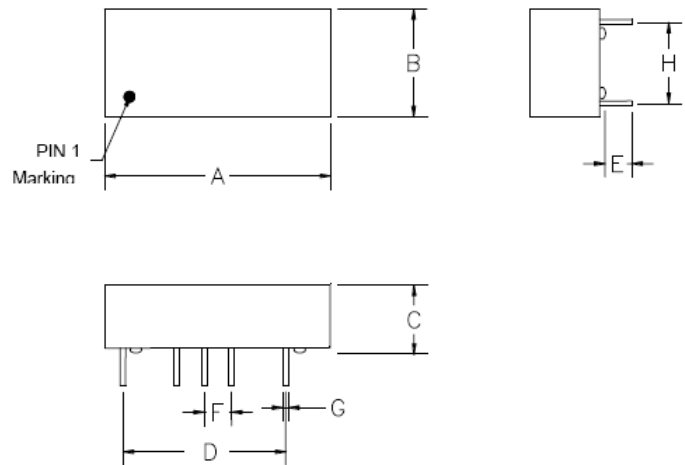
Specifications : @ 25°C, operating temperature 0°C -70°C

- | | | |
|-------------------------|--|---|
| 1. Turn Ratio | 1CT :1CT ± 5% | Pin(1-3) : (16-14); Pin(5-7) : (12-10) |
| 2. Inductance(with 8mA) | 350uH Min. | Pin(1-3) & Pin(5-7) , @100KHz,100mV, |
| 3. Insertion Loss | -1.0 dB Max. | @1-100MHz |
| 4. Return loss | -16 dB Min.
-13.5 dB Min.
-11.5 dB Min.
-10 dB Min. | @1-30MHz
@40MHz
@50MHz
@60-80MHz |
| 5. Cross talk | -40 dB Min.
-38 dB Min. | @1-60MHz
@60-100MHz |
| 6. Voltage isolation | 1500 vrms | |

Schematic:



Dimension:



DIM	MILLIMETERS		INCHES	
	MIN	MAX	MIN	MAX
A	20.00	20.60	0.780	0.819
B	9.30	9.90	0.370	0.409
C	6.75(max)		0.266(max)	
D	15.24(typical)		0.600(typical)	
E	3.00	3.60	0.118	0.142
F	2.54(typical)		0.100(typical)	
G	0.50(typical)		0.020(typical)	
H	7.62(typical)		0.300(typical)	