



A.C.E. 泰華達股份有限公司
ArchiCore Electronics CO., LTD

Product Specification

Product name	GL882001
Product Type	100/1000BASE-T Quad Magnetic Module
System Application	88pins Magnetic Module
Author	Cathy Huang
Approved By	Sundi Lin
RoHS Compliant	

A.C.E.

泰華達股份有限公司

Archicore Electronics CO., LTD

地址: 高雄市前鎮區新衙路 288-6 號 7F-1(運通大樓 C 棟)

**Address: 7F-1, No. 288-6, Xinya 1 Rd., Chianjen District,
Kaohsiung City, 806, Taiwan**

Tel: +886-7-970-3268 FAX: +886-7-841-1851



A.C.E. 泰華達股份有限公司
ArchiCore Electronics CO., LTD

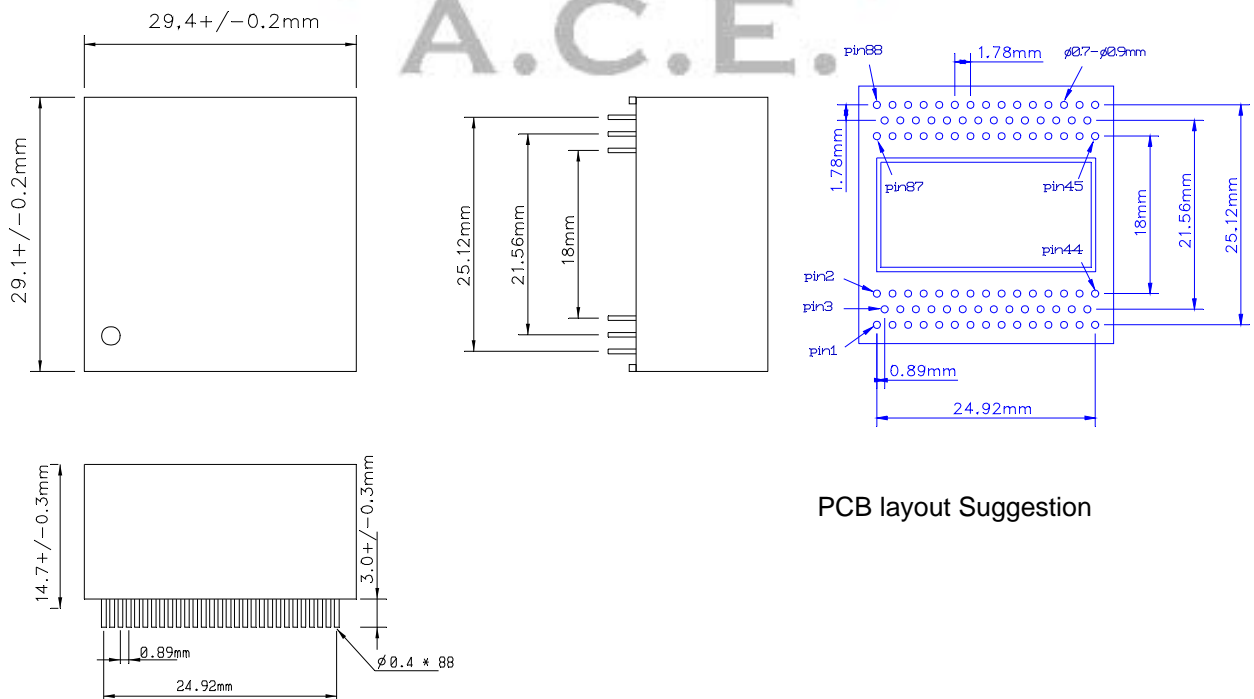
Specifications : @ 25⁰C, operating temperature 0⁰C -70⁰C

1. Inductance(note1)	350uH Min.	@100KHz,100mV,
2.Turn Ratio	1CT :1CT ± 5%	Pin(1-2) : (88-87) each wire
3. Insertion Loss	-1.1 dB Max.	@1-100MHz
4. Return loss	-16 dB Min.	@1-30MHz
	-12 dB Min.	@60MHz
	-11 dB Min.	@80MHz
	-9 dB Min.	@100MHz
5. Cross talk	-43.5 dB Min.	@30MHz
	-37.5 dB Min.	@60MHz
	-33 dB Min.	@100MHz
6.CMRR	-40 dB Min.	@30MHz
	-35 dB Min.	@60MHz
	-30 dB Min.	@100MHz
7. Voltage isolation	1500 vrms	

Note 1 : measured at 8mA_{dc} over operating temperature 0⁰C -70⁰C

Note 2: Above specification only for one port.

Mechanical: ± 0.25mm

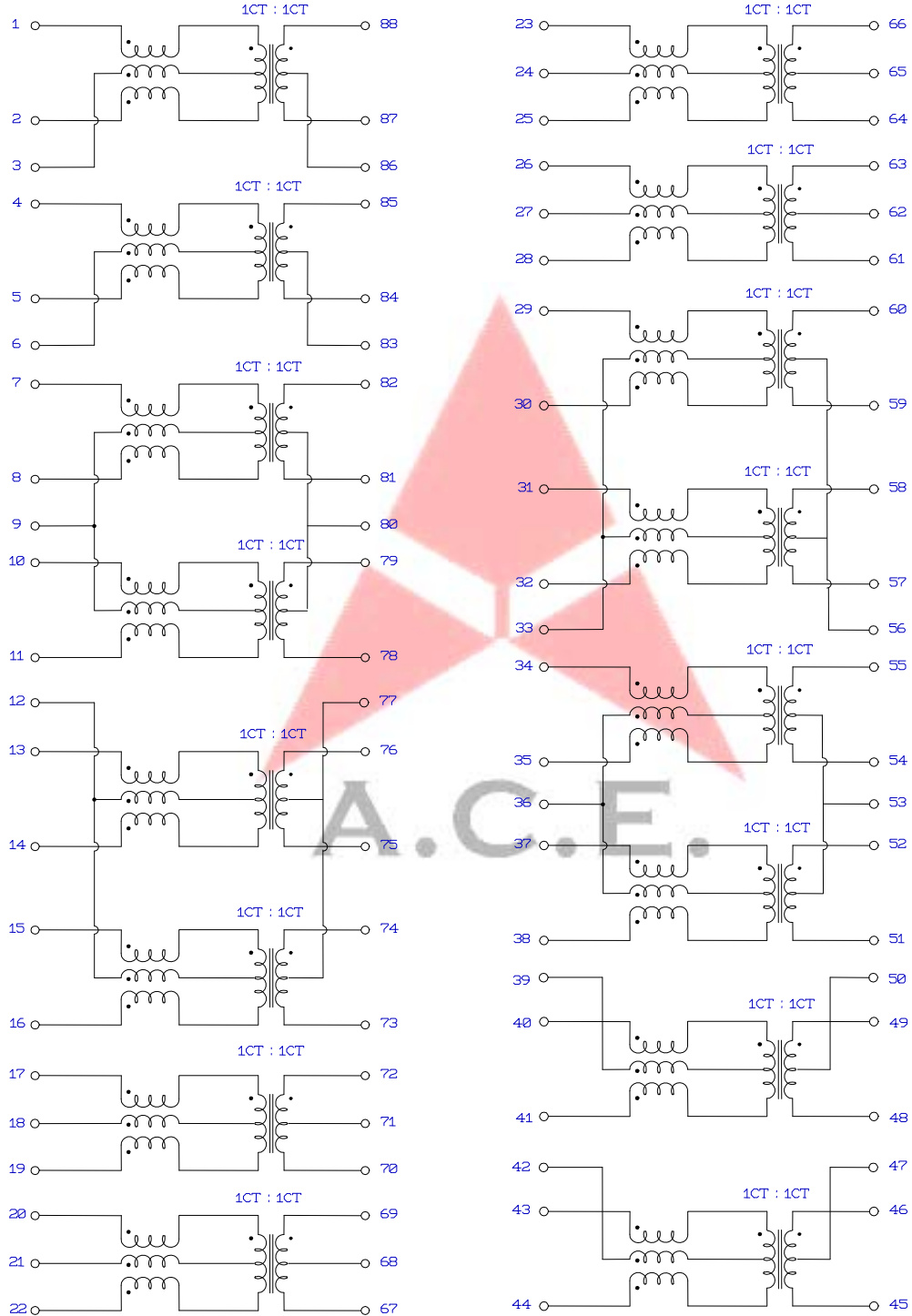


PCB layout Suggestion



A.C.E. 泰華達股份有限公司
ArchiCore Electronics CO., LTD

Schematic:





A.C.E. 泰華達股份有限公司
ArchiCore Electronics CO., LTD

Revision History:

Rev.	Author	Approved by	Description of change	Issued date
0	Sundi	Feilong	New release	04/06/2009
1	Cathy	Sundi	Add pins dimension	15-07-2009
2	Cathy	Sundi	Add CMRR specification	06-08-2009
3	Cathy	Sundi	Modified dimension	19-08-2009

