



A.C.E. 泰華達股份有限公司
ArchiCore Electronics CO., LTD

Product Specification

Product name	GL722002
Product Type	72 pins Magnetic Module
System Application	100/1000Base Quad Port
Author	Cathy Huang
Approved By	Sundi Lin
RoHS Compliant	



泰華達股份有限公司

Archicore Electronics CO., LTD

地址: 高雄市前鎮區新衙路 288-6 號 7F-1(運通大樓 C 棟)

**Address: 7F-1, No. 288-6, Xinya 1 Rd., Chianjen District,
Kaohsiung City, 806, Taiwan**

Tel: +886-7-970-3268 FAX: +886-7-841-1851

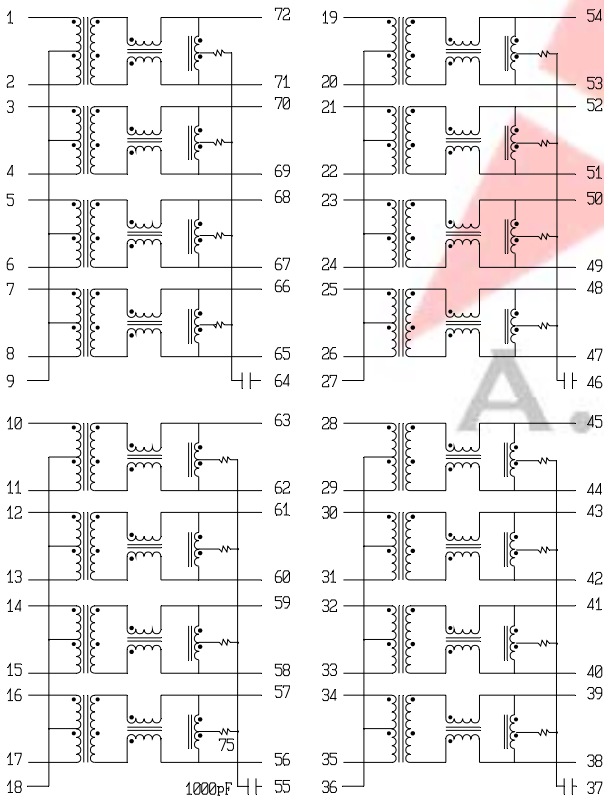


A.C.E. 泰華達股份有限公司
ArchiCore Electronics CO., LTD

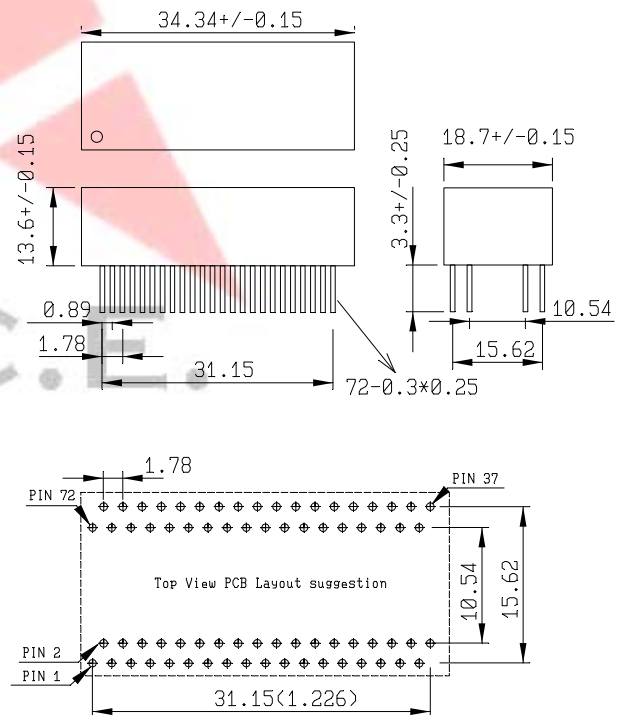
Specifications : @ 25°C, operating temperature 0°C -70°C

- | | | |
|-------------------------|---------------|----------------|
| 1. Turn Ratio | 1CT :1CT ± 5% | TX , RX |
| 2. Inductance(with 8mA) | 350uH Min. | @100KHz,100mV, |
| 3. Insertion Loss | -1.0 dB Max. | @1-100MHz |
| 4. Return loss | -18 dB Min. | @1-30MHz |
| | -14.4 dB Min. | @40MHz |
| | -13.1 dB Min. | @50MHz |
| | -12 dB Min. | @60-80MHz |
| | -10 dB Min. | @100MHz |
| 5. Cross talk | -40 dB Min. | @30MHz |
| | -35 dB Min. | @60MHz |
| | -30 dB Min. | @100MHz |
| 6. Voltage isolation | 1500 vrms | |

Schematic:



Dimension: unit: mm ①





A.C.E. 泰華達股份有限公司

ArchiCore Electronics CO., LTD

Revision History:

Rev.	Author	Approved by	Description of change	Issued date
0	Cathy	Sundi	New release	09/06/2009
1	Cathy	Sundi	Add dimension	29-06-2009
2	Cathy	Sundi	Modified dimension	09-07-2009

