



A.C.E. 泰華達股份有限公司
ArchiCore Electronics CO., LTD



Product Specification

Product name	GL4P1010
Product Type	100/1000BASE-T Quad Magnetic Module
System Application	88pins Magnetic Module
Author	Sundi Lin
Approved By	Alvin Liou



Archicore Electronics CO., LTD

地址: 高雄市前鎮區新衙路 288-6 號 7F-1(運通大樓 C 棟)

**Address: 7F-1, No. 288-6, Xinya 1 Rd., Chianjen District,
Kaohsiung City, 806, Taiwan**

Tel: +886-7-970-3268 FAX: +886-7-841-1851



A.C.E. 泰華達股份有限公司
ArchiCore Electronics CO., LTD

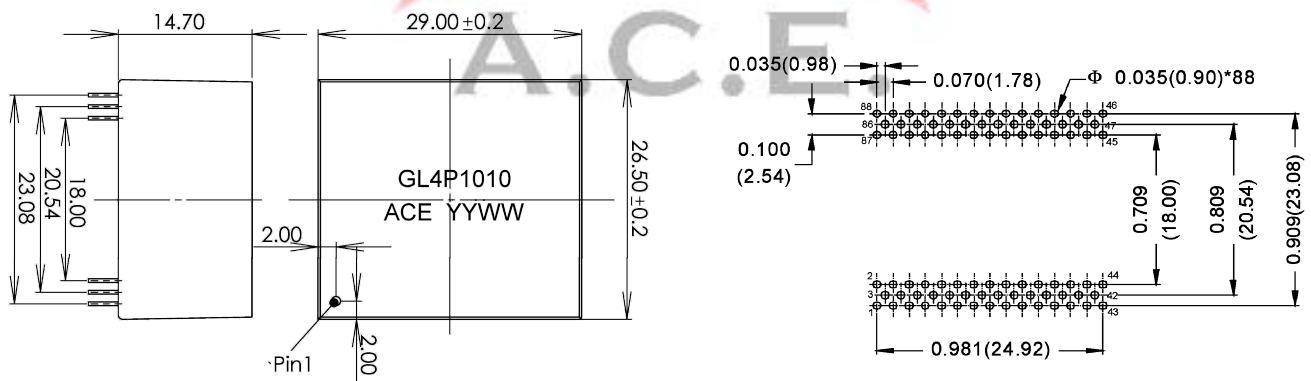
Specifications :@ 25⁰C, operating temperature 0⁰C -70⁰C

- | | | |
|-----------------------|---------------|------------------------------|
| 1. Inductance(note1) | 350uH Min. | @100KHz,100mV, |
| 2.Turn Ratio | 1CT :1CT ± 5% | Pin(1-2) : (88-87) each wire |
| 3. Insertion Loss | -1.1 dB Max. | @1-100MHz |
| 4. Return loss | -16 dB Min. | @1-30MHz |
| | -12 dB Min. | @60MHz |
| | -11 dB Min. | @80MHz |
| | -9 dB Min. | @100MHz |
| 5. Cross talk | -43.5 dB Min. | @30MHz |
| | -37.5 dB Min. | @60MHz |
| | -33 dB Min. | @100MHz |
| 6.CMRR | -40 dB Min. | @30MHz |
| | -35 dB Min. | @60MHz |
| | -30 dB Min. | @100MHz |
| 7. Voltage isolation | 1500 vrms | |

Note 1 : measured at 8mAdc over operating temperature 0⁰C -70⁰C

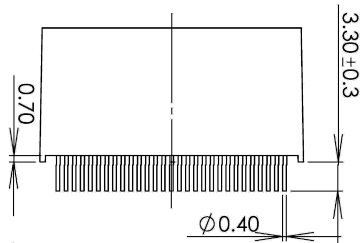
Note 2: Above specification only for one port.

Mechanical: ± 0.25mm



註:

1.Tolerances: xx.x0±0.25
0.xx±0.05

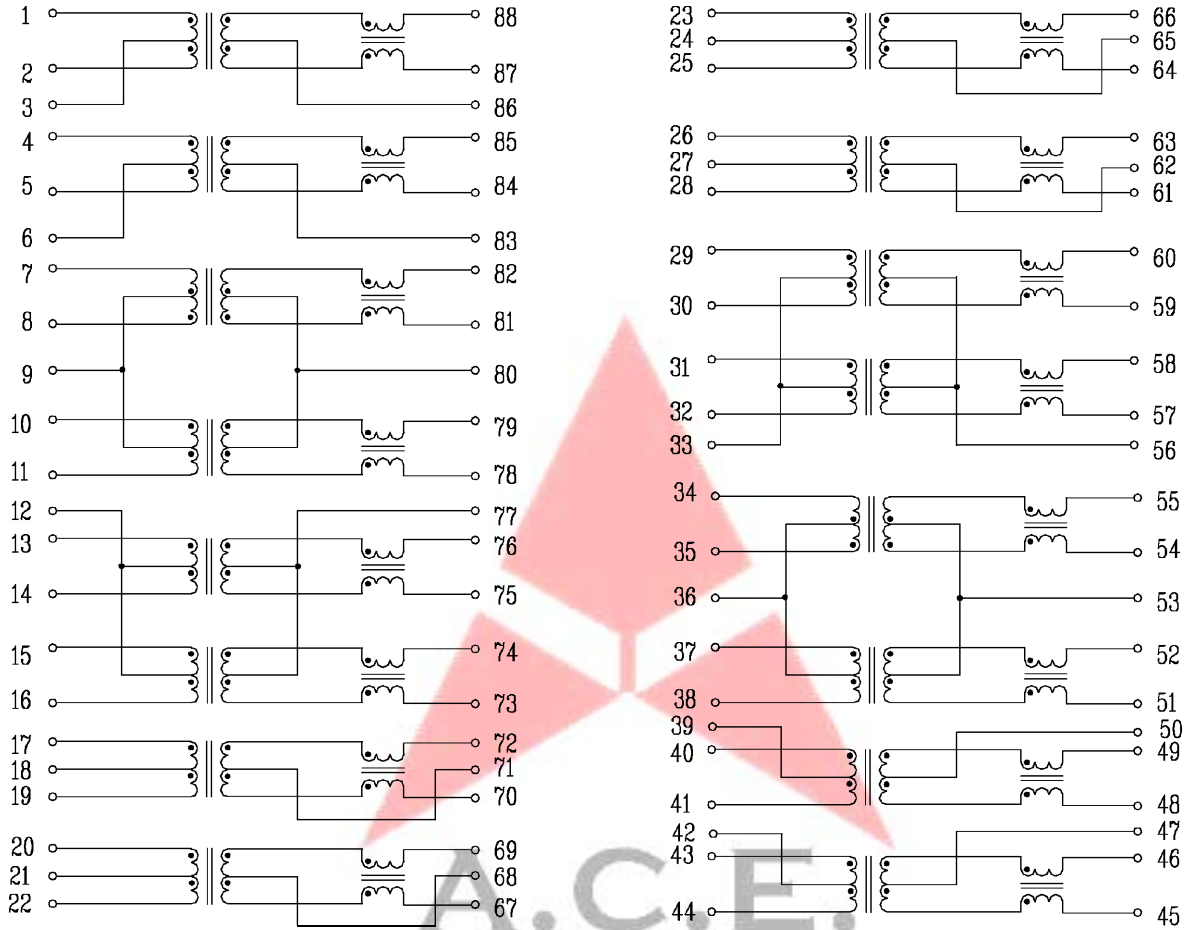


TOP VIEW(COMPONENT)
PCB LAYOUT



A.C.E. 泰華達股份有限公司
ArchiCore Electronics CO., LTD

Schematic:





A.C.E. 泰華達股份有限公司
ArchiCore Electronics CO., LTD

Revision History:

Rev.	Author	Approved by	Description of change	Issued date
0	Timmy	Sundi	New release	01/06/2010
1	Sundi	Alvin	Modified Mechanical	2010/12/10

