

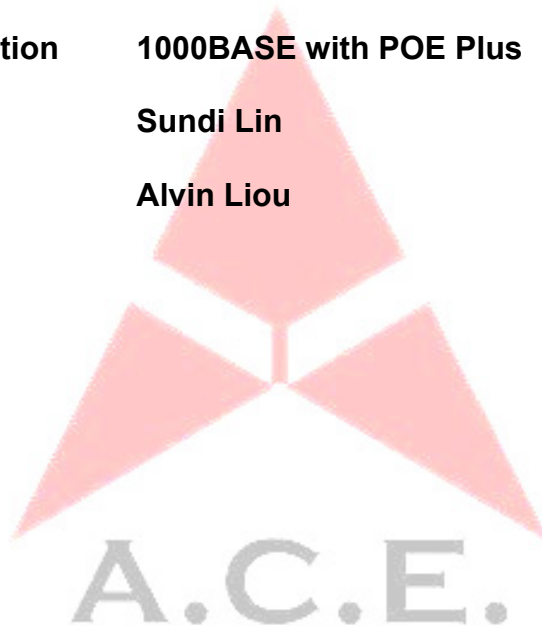


A.C.E. 泰華達股份有限公司
ArchiCore Electronics CO., LTD



Product Specification

Product name	GL2P2007
Product Type	Dual Ports SMD Transformer Module
System Application	1000BASE with POE Plus
Author	Sundi Lin
Approved By	Alvin Liou



泰華達股份有限公司

Archicore Electronics CO., LTD

地址：高雄市前鎮區新衙路 288-6 號 7F-1(運通大樓 C 棟)

**Address: 7F-1, No. 288-6, Xinya 1 Rd., Chianjen District,
Kaohsiung City, 806, Taiwan**

Tel: +886-7-970-3268 FAX: +886-7-841-1851



A.C.E. 泰華達股份有限公司
ArchiCore Electronics CO., LTD

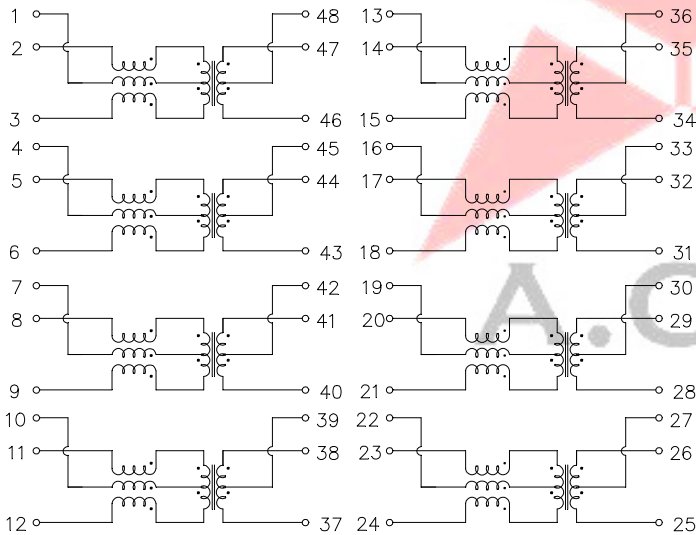
Feature:

1. Balance DC Current 660mA Max. @57Vdc

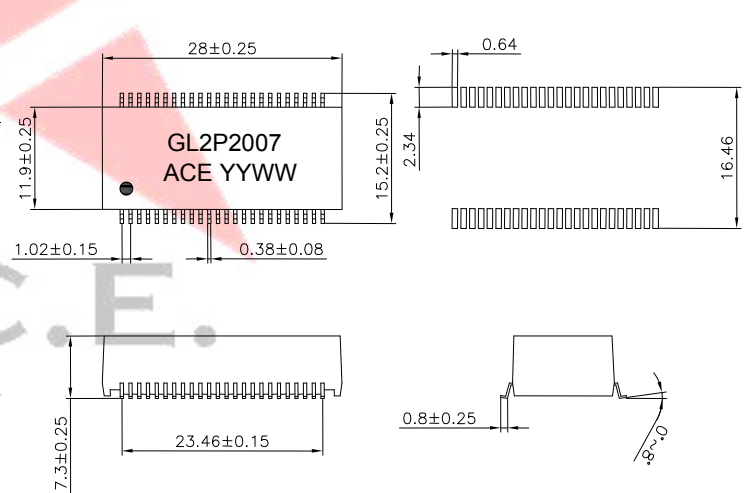
Specifications :@ 25°C, operating temperature 0°C -70°C

1. Turn Ratio	1CT :1CT ± 5%	
2. Inductance(with 8mA)	350uH Min.	@100KHz,100mV
3. Inductance (with 23mA)	120uH Min.	@100KHz,100mV
4. Insertion Loss	-1.0 dB Max.	@1-100MHz
5. Return loss	-16 dB Min.	@1-30MHz
	-12 dB Min.	@60-80MHz
	-10 dB Min.	@100MHz
6. Cross talk	-40 dB Min.	@30MHz
	-35 dB Min.	@60MHz
	-30 dB Min.	@100MHz
7. Voltage isolation	1500 vrms	

Schematic:



Dimension: +/-0.25 mm





A.C.E. 泰華達股份有限公司
ArchiCore Electronics CO., LTD

Revision History:

Rev.	Author	Approved by	Description of change	Issued date
0	Sundi	Alvin	New release	2011/8/15

