



A.C.E. 泰華達股份有限公司
ArchiCore Electronics CO., LTD



Product Specification

Product name	GL2P2003
Product Type	48pins Magnetic Module
System Application	100/1000BASE-T Dual Ports
Author	Alvin Liou
Approved By	Sundi Lin

A.C.E.

泰華達股份有限公司

Archicore Electronics CO., LTD

地址：高雄市前鎮區新衙路 288-6 號 7F-1(運通大樓 C 棟)

**Address: 7F-1, No. 288-6, Xinya 1 Rd., Chianjen District,
Kaohsiung City, 806, Taiwan**

Tel: +886-7-970-3268 FAX: +886-7-841-1851



A.C.E. 泰華達股份有限公司
 ArchiCore Electronics CO., LTD

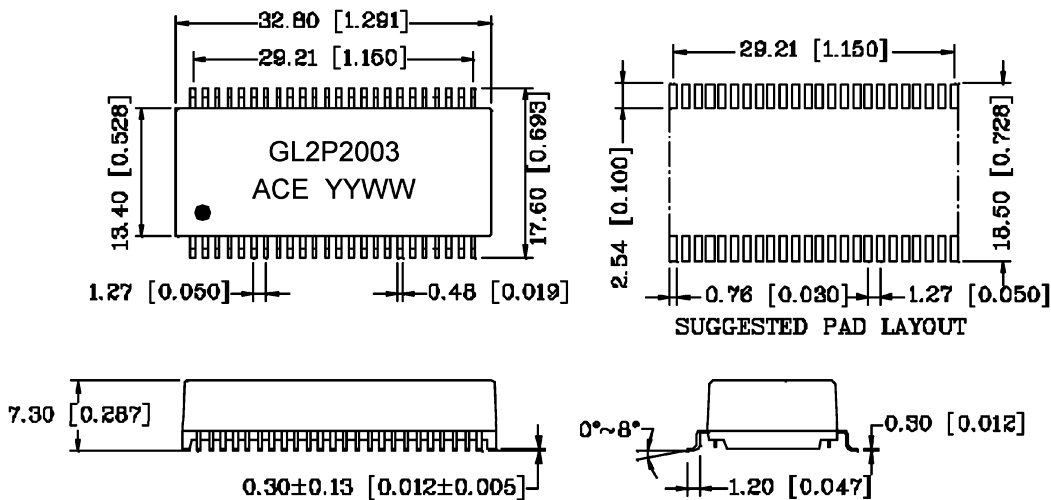
Specifications :@ 25⁰C, operating temperature 0⁰C -70⁰C

1. Inductance(note1)	350uH Min.	@100KHz,100mV
2.Turn Ratio	1CT :1CT ± 5%	
3. Insertion Loss	-1.0 dB Max.	@1-100MHz
4. Return loss	-16 dB Min. -14.4 dB Min. -13.1 dB Min. -12.0 dB Min.	@1-30MHz @40MHz @50MHz @60-80MHz
5. Cross talk	-43.5 dB Min. -37.5 dB Min. -33 dB Min.	@30MHz @60MHz @100MHz
6.CMRR	-40 dB Min. -35 dB Min. -30 dB Min.	@30MHz @60MHz @100MHz
7. Voltage isolation	1500 vrms	

Note 1 : measured at 8mA_{dc} over operating temperature 0⁰C -70⁰C

Note 2: Above specification only for one port.

Mechanical:

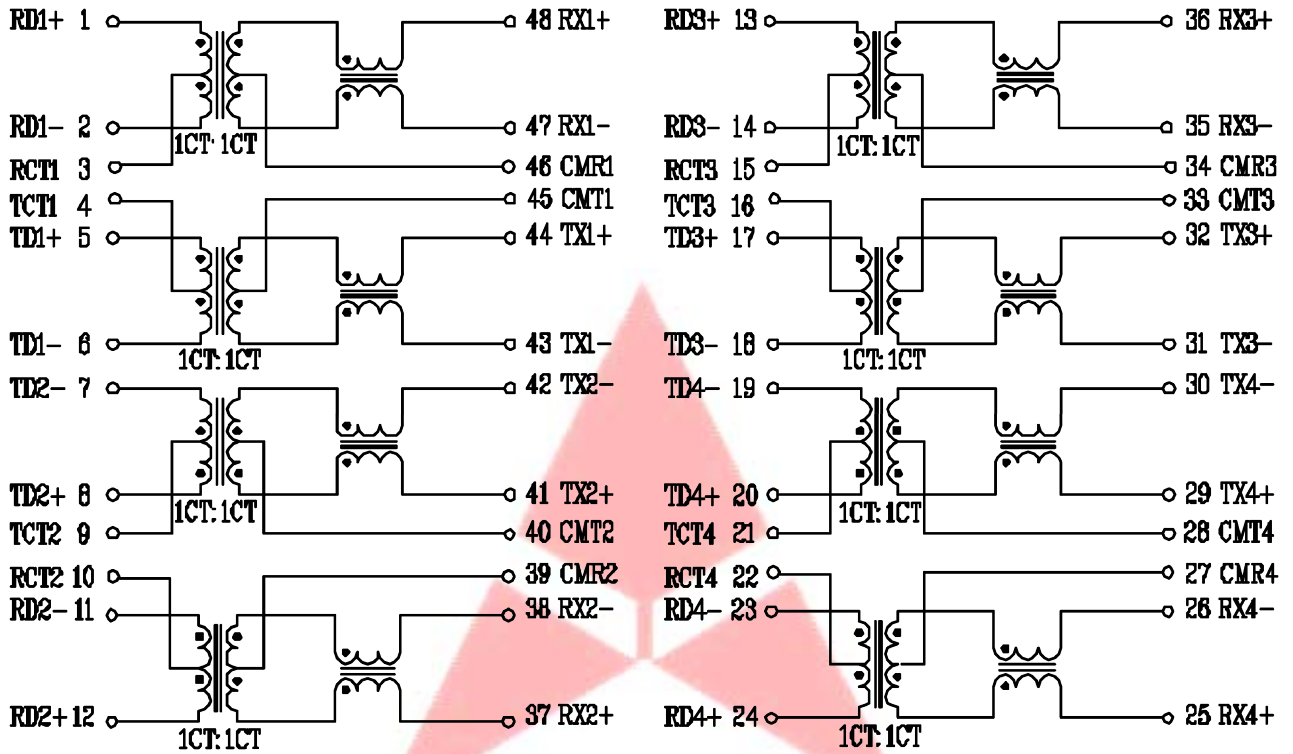


Units: mm[Inches] all Tolerance are: ±0.25[0.010]
 0.xx±0.05[0.002]



A.C.E. 泰華達股份有限公司
ArchiCore Electronics CO., LTD

Schematic:



A.C.E.



A.C.E. 泰華達股份有限公司
ArchiCore Electronics CO., LTD

Revision History:

Rev.	Author	Approved by	Description of change	Issued date
0	Alvin	Sundi	New release	2011/2/14

