

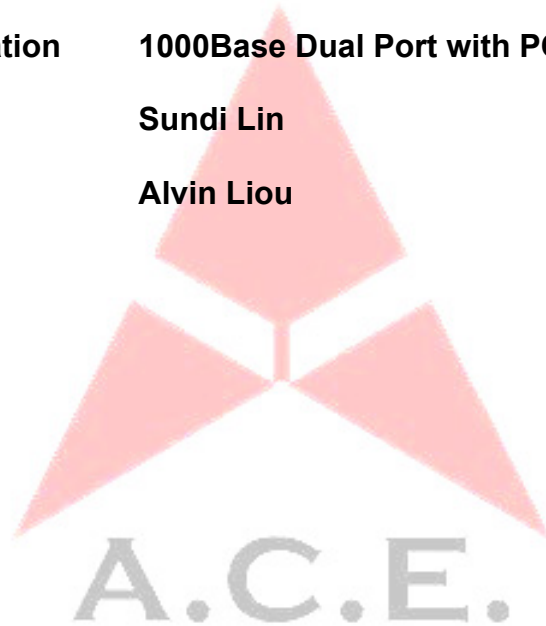


**A.C.E.** 泰華達股份有限公司  
ArchiCore Electronics CO., LTD



## Product Specification

|                           |   |
|---------------------------|---|
| <b>Product name</b>       | <b>GL2P1007</b>                         |
| <b>Product Type</b>       | <b>48pins Magnetic Module</b>           |
| <b>System Application</b> | <b>1000Base Dual Port with POE plus</b> |
| <b>Author</b>             | <b>Sundi Lin</b>                        |
| <b>Approved By</b>        | <b>Alvin Liou</b>                       |



泰華達股份有限公司

**Archicore Electronics CO., LTD**

地址：高雄市前鎮區新衙路 288-6 號 7F-1(運通大樓 C 棟)

**Address: 7F-1, No. 288-6, Xinya 1 Rd., Chianjen District,  
Kaohsiung City, 806, Taiwan**

**Tel: +886-7-970-3268    FAX: +886-7-841-1851**



**A.C.E.** 泰華達股份有限公司  
ArchiCore Electronics CO., LTD

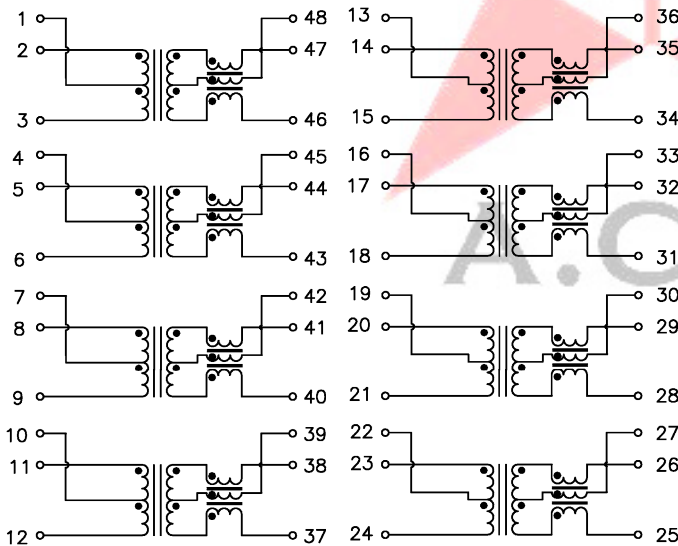
**Feature:**

1. Balance DC Current 750mA Max. @57Vdc

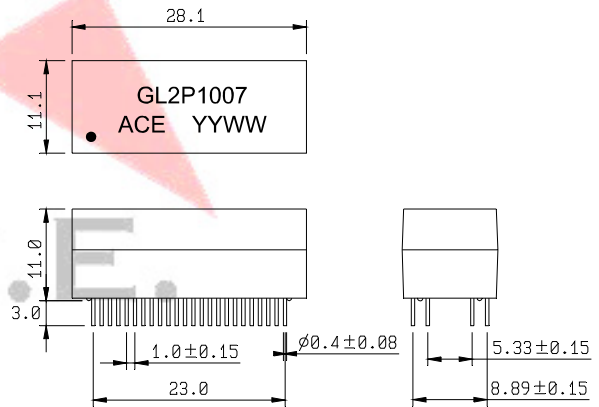
**Specifications** :@ 25<sup>0</sup>C, operating temperature 0<sup>0</sup>C -70<sup>0</sup>C

|                                  |   |                                  |
|----------------------------------|---|----------------------------------|
| 1. Turn Ratio                    | 1CT :1CT ± 5%                             |                                  |
| 2. Inductance(with 8mA)          | 350uH Min.                                | @100KHz,100mV                    |
| 3. Inductance<br>(with 19mA+8mA) | 120uH Min.                                | @100KHz,100mV                    |
| 4. Insertion Loss                | -1.0 dB Max.                              | @1-100MHz                        |
| 5. Return loss                   | -16 dB Min.<br>-12 dB Min.<br>-10 dB Min. | @1-30MHz<br>@60-80MHz<br>@100MHz |
| 6. Cross talk                    | -40 dB Min.<br>-35 dB Min.<br>-30 dB Min. | @30MHz<br>@60MHz<br>@100MHz      |
| 7. Voltage isolation             | 1500 vrms                                 |                                  |

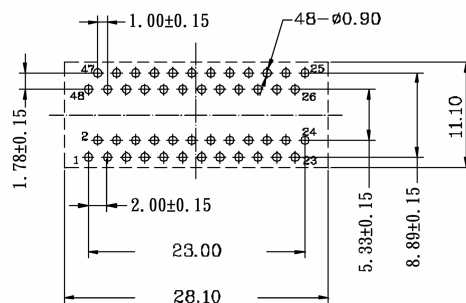
**Schematic:**



**Dimension: +/-0.25 mm**



**PCB Layout: +/-0.25 mm**





**A.C.E.** 泰華達股份有限公司  
ArchiCore Electronics CO., LTD

**Revision History:**

| Rev. | Author | Approved by | Description of change | Issued date |
|------|--------|-------------|-----------------------|-------------|
| 0    | Sundi  | Alvin       | New release           | 2011/3/22   |
| 1    | Sundi  | Alvin       | Modified Feature      | 2011/3/23   |
|      |        |             |                       |             |

