



A.C.E. 泰華達股份有限公司
ArchiCore Electronics CO., LTD



Product Specification

Product name	GL24A001
Product Type	PCMCIA Solutions
System Application	10/100/1000Base
Author	Sundi Lin
Approved By	Alvin Liou



泰華達股份有限公司

Archicore Electronics CO., LTD

地址：高雄市前鎮區新衙路 288-6 號 7F-1(運通大樓 C 棟)

**Address: 7F-1, No. 288-6, Xinya 1 Rd., Chianjen District,
Kaohsiung City, 806, Taiwan**

Tel: +886-7-970-3268 FAX: +886-7-841-1851

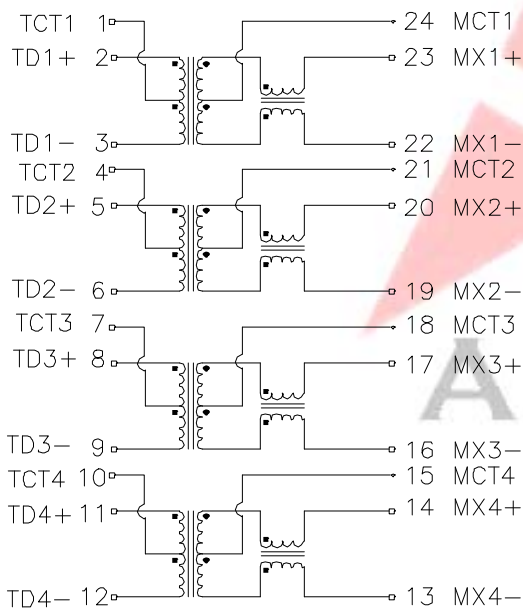


A.C.E. 泰華達股份有限公司
ArchiCore Electronics CO., LTD

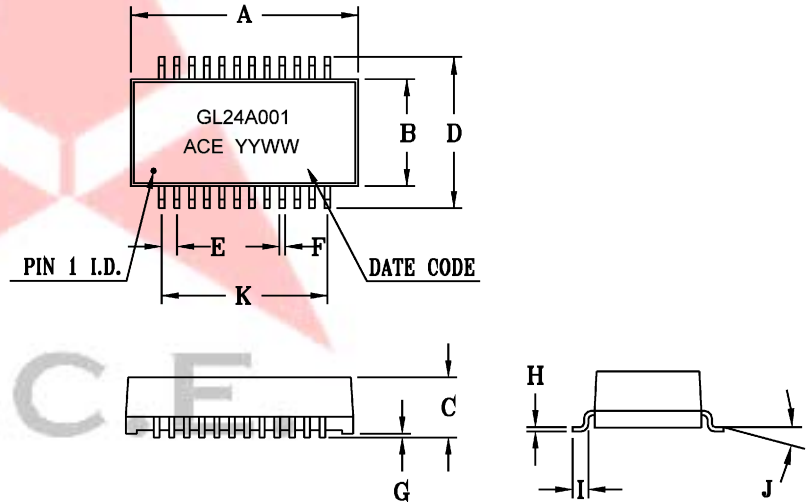
Specifications :@ 25⁰C, operating temperature 0⁰C -70⁰C

- | | | |
|-------------------------|---------------|---------------|
| 1. Turn Ratio | 1CT :1CT ± 5% | |
| 2. Inductance(with 8mA) | 350uH Min. | @100KHz,100mV |
| 3. Insertion Loss | -1.0 dB Max. | @1-100MHz |
| 4. Return loss | -16 dB Min. | @1-30MHz |
| | -13.5 dB Min. | @40MHz |
| | -11.5 dB Min. | @50MHz |
| | -10 dB Min. | @60-80MHz |
| 5. Cross talk | -40 dB Min. | @1-60MHz |
| | -38 dB Min. | @60-100MHz |
| 6. Voltage isolation | 1500 vrms | |

Schematic:



Dimension:



DIM	MILLIMETERS		INCHES	
	MIN	MAX	MIN	MAX
A	14.846	15.354	0.584	0.604
B	6.846	7.354	0.270	0.290
C	3.746	4.254	0.147	0.167
D	9.746	10.254	0.384	0.404
E	0.873	1.127	0.034	0.044
F	0.253	0.507	0.010	0.02
G	0.123	0.377	0.005	0.015
H	0.2	0.4	0.008	0.016
I	0.796	1.304	0.031	0.051
J	0°	8°		
K	10.873	11.127	0.428	0.438



A.C.E. 泰華達股份有限公司
ArchiCore Electronics CO., LTD

Revision History:

Rev.	Author	Approved by	Description of change	Issued date
0	Sundi	Feilong	New release	2009/5/8
1	Sundi	Feilong	Modify Dimension	2009/7/2
2	Sudni	Alvin	Modify appearance	2011/2/17

