

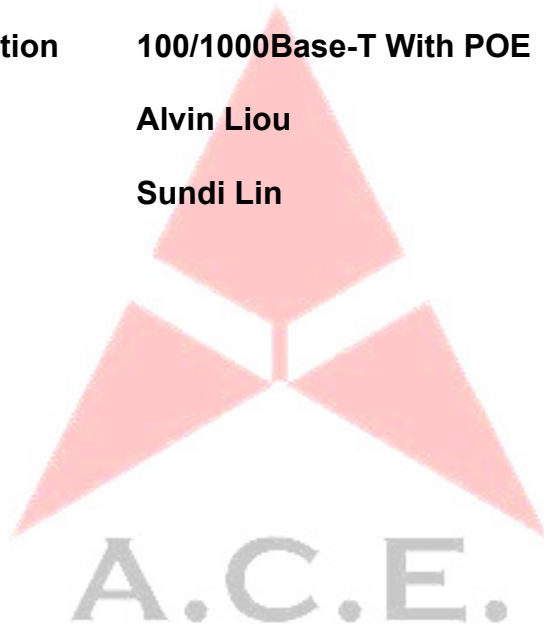


A.C.E. 泰華達股份有限公司
ArchiCore Electronics CO., LTD



Product Specification

Product Name	GL1P2007
Product Type	Single Port SMD Transformer Module
System Application	100/1000Base-T With POE
Author	Alvin Liou
Approved By	Sundi Lin



泰華達股份有限公司

Archicore Electronics CO., LTD

地址：高雄市前鎮區新衙路 288-6 號 7F-1(運通大樓 C 棟)

**Address: 7F-1, No. 288-6, Xinya 1 Rd., Chianjen District,
Kaohsiung City, 806, Taiwan**

Tel: +886-7-970-3268 FAX: +886-7-841-1851



A.C.E. 泰華達股份有限公司
ArchiCore Electronics CO., LTD

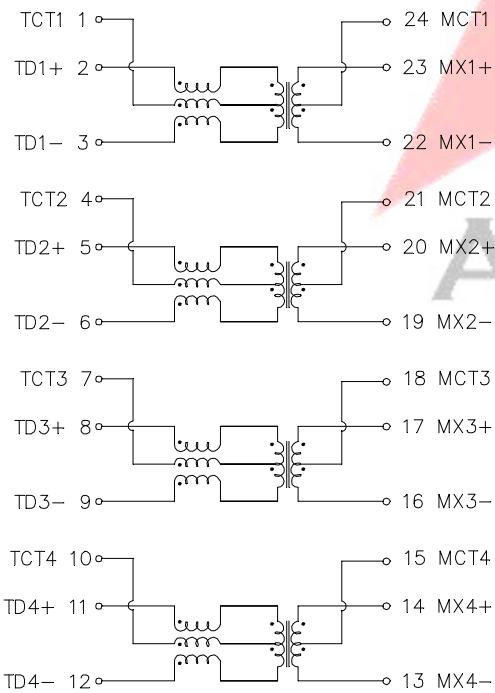
Feature:

1. IEEE 802.af compliant.

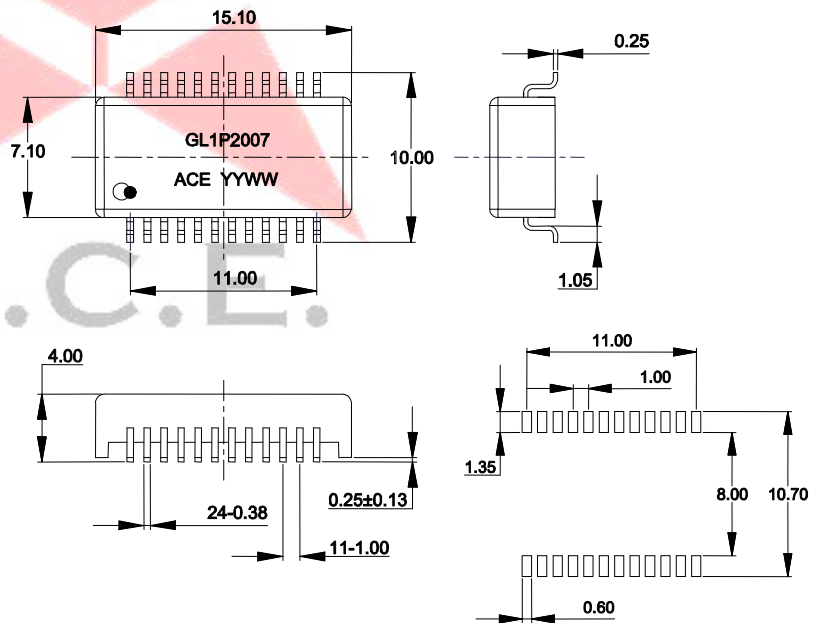
Specifications : @ 25°C, operating temperature 0°C -70°C

- | | | |
|-------------------------|---------------|---------------|
| 1. Turn Ratio | 1CT :1CT ± 5% | |
| 2. Inductance(with 8mA) | 350uH Min. | @100KHz,100mV |
| 3. Insertion Loss | -1.0 dB Max. | @1-100MHz |
| 4. Return loss | -16 dB Min. | @1-30MHz |
| | -13.5 dB Min. | @40MHz |
| | -11.5 dB Min. | @50MHz |
| | -10 dB Min. | @60-80MHz |
| 5. Cross talk | -40 dB Min. | @1-60MHz |
| | -38 dB Min. | @60-100MHz |
| 6. Voltage isolation | 1500 vrms | |

Schematic:



Dimension: ± 0.25mm





A.C.E. 泰華達股份有限公司
ArchiCore Electronics CO., LTD

Revision History:

Rev.	Author	Approved by	Description of change	Issued date
0	Alvin	Sundi	New release	2011/09/01

