



**A.C.E.** 泰華達股份有限公司  
ArchiCore Electronics CO., LTD



## Product Specification

<b>Product name</b>	<b>GL1P1004</b>
<b>Product Type</b>	<b>24pins Magnetic Module</b>
<b>System Application</b>	<b>10/100/1000Base Single Port</b>
<b>Author</b>	<b>Sundi Lin</b>
<b>Approved By</b>	<b>Alvin Liou</b>



泰華達股份有限公司

**Archicore Electronics CO., LTD**

地址：高雄市前鎮區新衙路 288-6 號 7F-1(運通大樓 C 棟)

**Address: 7F-1, No. 288-6, Xinya 1 Rd., Chianjen District,  
Kaohsiung City, 806, Taiwan**

**Tel: +886-7-970-3268    FAX: +886-7-841-1851**

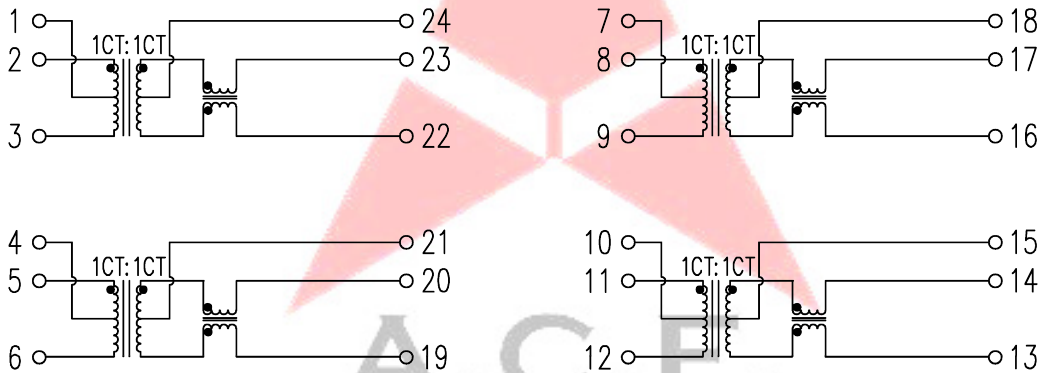


**A.C.E.** 泰華達股份有限公司  
ArchiCore Electronics CO., LTD

**Specifications** :@ 25<sup>0</sup>C, operating temperature 0<sup>0</sup>C -70<sup>0</sup>C

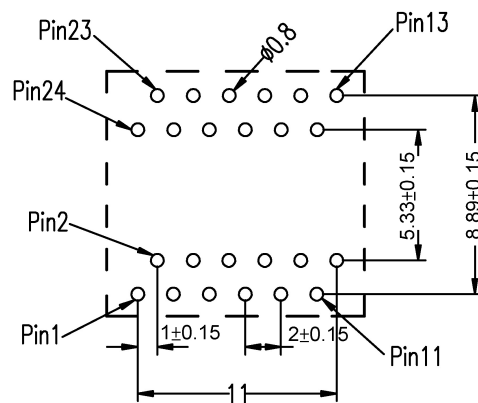
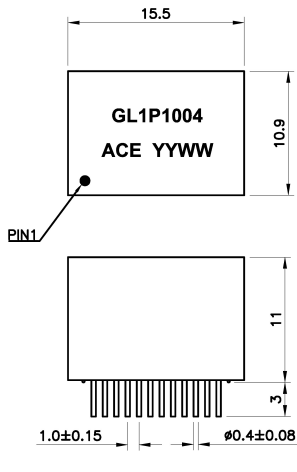
1. Turn Ratio	1CT :1CT ± 5%	
2. Inductance(with 8mA)	350uH Min.	@100KHz,100mV,
3. DCR	1.2Ω max.	
4. Insertion Loss	-1.0 dB Max.	@1-100MHz
5. Return loss	-18 dB Min.	@1-30MHz
	-12 dB Min.	@60MHz
	-10 dB Min.	@80MHz
6. Cross talk	-40 dB Min.	@1MHz-30MHz
	-35 dB Min.	@60MHz
	-30 dB Min.	@80-100MHz
7. Voltage isolation	1500 vrms	
8. Leakage Inductance	0.8uH Max.	
9. Cww	45pF Max.	

**Schematic:**



**Dimension:** +/-0.25 mm

**PCB Layout:** +/-0.25 mm (Top View)





**A.C.E.** 泰華達股份有限公司  
ArchiCore Electronics CO., LTD

**Revision History:**

Rev.	Author	Approved by	Description of change	Issued date
0	Sundi	Alvin	New release	2010/10/19
1	Sundi	Alvin	Modified Product Type	2010/12/6
2	Sundi	Alvin	Modified Specifications	2011/3/1
3	Sundi	Alvin	Modified Mechanical	2011/3/15
4	Sundi	Alvin	changed tolerance of dimension	2011/3/18

