



A.C.E. 泰華達股份有限公司
ArchiCore Electronics CO., LTD



Product Specification

Product name	GL1P1003
Product Type	18pins Magnetic Module
System Application	100/1000 Base Single Port
Author	Sundi Lin
Approved By	Alvin Liou

A.C.E.

泰華達股份有限公司

Archicore Electronics CO., LTD

地址：高雄市前鎮區新衙路 288-6 號 7F-1(運通大樓 C 棟)

**Address: 7F-1, No. 288-6, Xinya 1 Rd., Chianjen District,
Kaohsiung City, 806, Taiwan**

Tel: +886-7-970-3268 FAX: +886-7-841-1851

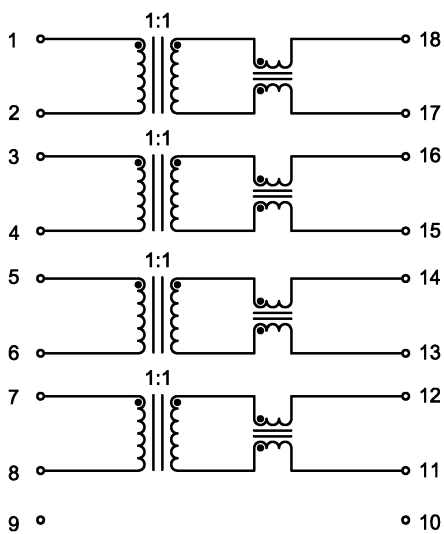


A.C.E. 泰華達股份有限公司
ArchiCore Electronics CO., LTD

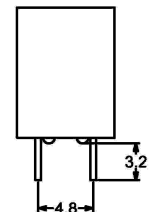
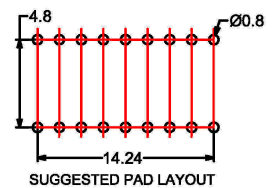
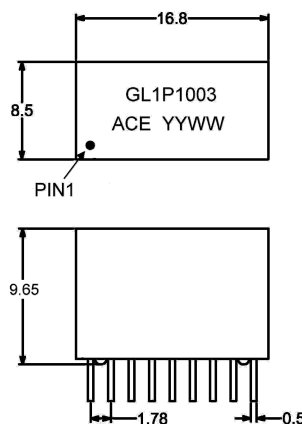
Specifications :@ 25⁰C, operating temperature 0⁰C -70⁰C

1. Turn Ratio	1 : 1 ± 5%	Pin(1-2):Pin(18-17) each port
2. Inductance(with 8mA)	350uH Min.	@100KHz,100mV; Pin(1-2)each port
3. Insertion Loss	-1.0 dB Max.	@1-100MHz; Pin(1-2)-Pin(18-17) each port
4. Return loss	-18 dB Min.	@1-30MHz; Pin(1-2);Pin(18-17) with load each port
	-14.4 dB Min.	@40MHz
	-13.1 dB Min.	@50MHz
	-12 dB Min.	@60-80MHz
	-10 dB Min.	@100MHz
5. Cross talk	-40 dB Min.	@30MHz; Pin(1-2)-Pin(3-4); pin(18-17)&pin(16-15) with load
	-35 dB Min.	@60MHz
	-30 dB Min.	@100MHz
6. CMRR	-40 dB Min.	@30MHz
	-35 dB Min.	@60MHz
	-30 dB Min.	@100MHz
7. Voltage isolation	1500 vrms	Pri to Sec.
8. Leakage inductance	0.5uH Max.	Pin(1-2) ; pin(18-17) short each port
9. C _w	28pF Max.	@100KHz,100mV ; Pin(1-2 short)-Pin(18-17 short) each port
10. DCR	1.1Ω	Pin(1-2) each port

Schematic:



Mechanical: ± 0.25mm





A.C.E. 泰華達股份有限公司
ArchiCore Electronics CO., LTD

Revision History:

Rev.	Author	Approved by	Description of change	Issued date
0	Sundi	Alvin	New release	10/28/2010
1	Alvin	Sundi	降低產品本體高度	2011/1/17
2	Sundi	Alvin	修改印字位置	2011/1/31
3	Sundi	Alvin	Modified Specifications	2011/5/10

