



A.C.E. 泰華達股份有限公司
ArchiCore Electronics CO., LTD



Product Specification

Product Name	CPPCA008
Product Type	Customer Premise Splitter
System Application	ADSL Over POTS
Author	Alvin Liou
Approved By	Sundi Lin



泰華達股份有限公司

Archicore Electronics CO., LTD

地址：高雄市前鎮區新衙路 288-6 號 7F-1(運通大樓 C 棟)

Address: 7F-1, No. 288-6, Xinya 1 Rd., Chianjen District,

Kaohsiung City, 806, Taiwan

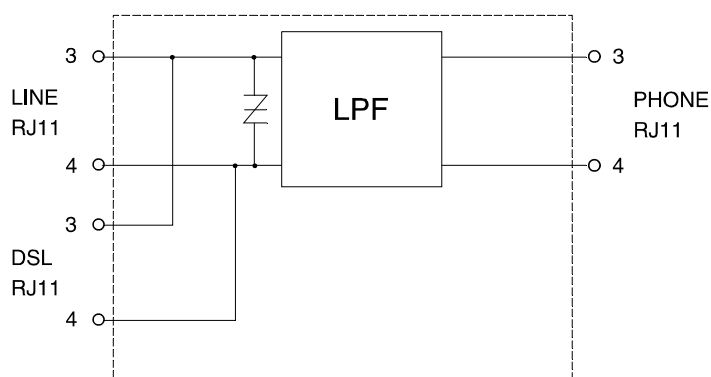
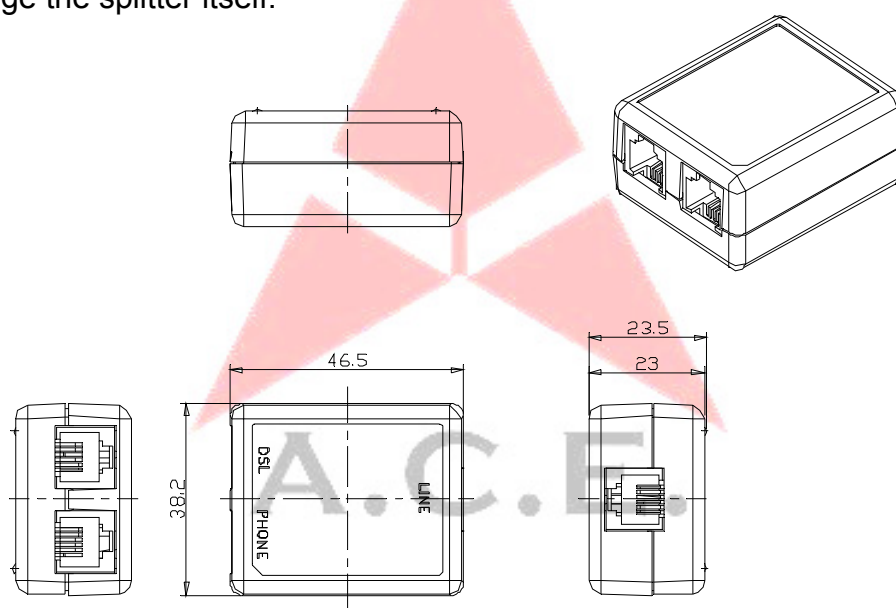
Tel: +886-7-970-3268 FAX: +886-7-841-1851



A.C.E. 泰華達股份有限公司
ArchiCore Electronics CO., LTD

The CPPCA008 is a splitter module that has been specifically designed to implement the functionality of low pass filter in POTS over ADSL application.

The CPPCA008 integrate low pass filter that block the high frequency energy from reaching the POTS device and provide isolation from impedance effects of the POTS device on ADSL. In addition, these filter will also attenuate any wideband impulse noise generated by the POTS device due to the interruption of loop current (e.g. pulse dialing or on hook / off hook transfer) Because the POTS splitter connects directly to the subscriber loop media, it must also provide some protection for externally induced line hits or faults which could damage any attached equipment or endanger humans interacting with the installed equipment. The circuit protection will be provided mostly by standard central office line protection means and additional protection measures built into pots splitter to protect against line overstress which could damage the splitter itself.





A.C.E. 泰華達股份有限公司
ArchiCore Electronics CO., LTD

Reference :

ETSI ETS 300 001	Attachments to Public Switched Telephone Network (PSTN); General technical requirements for equipment connected to an analogue subscriber interface in the PSTN
ITU G.992.x India spec.	Asymmetric Digital Subscriber Line (ADSL) Transceivers ASYMMETRIC DIGITAL SUBSCRIBER LINE (ADSL) MODEM (REMOTE TERMINAL)-GENERIC REQUIREMENTS NO. G/ANE-05/01.SEP'99
MII YD/T 1055-2000 ITU-T K.21	The test method for full-rate ADSL system with POTS splitter Resistibility of telecommunication switching equipment to Overvoltages and overcurrents
ITU-T Q.552	SERIES Q: SWITCHING AND SIGNALLING, Digital exchanges – Transmission characteristics, Transmission characteristics at 2-wire analogue interfaces of digital exchanges

Requirements :

Title		Conditions
DC resistance	≤ 25.0 ohm	Tip to Ring at the POTS interface with the U-R interface shorted.
Insertion loss (Z_{real(1)})	< 0.3 dB	@ 1 kHz
Insertion loss distortion (Z_{real(1)})	$< \pm 1$ dB	200 Hz to 4 kHz (relative to 1 kHz)
Return loss at TELE port (Z_{real(1)})	> 14 dB	300 Hz to 500 Hz
	> 18 dB	500 Hz to 2000 Hz
	> 14 dB	2000 Hz to 3400 Hz
Unbalance about earth (LCL & TCL) (Z_{real(1)})	> 58 dB	200 Hz to 1 kHz
	> 53 dB	1 kHz to 3 kHz
Group delay distortion (Z_{real(1)})	< 250 usec	200 Hz to 600 Hz
	< 200 usec	600 Hz to 3.2 kHz
	< 250 usec	3.2 kHz to 4 kHz
Frequencies and levels for pulse metering (in 200 Ω)	< 5 dB	12/16 kHz ± 1 %
Stop band attenuation (Z_{real(1)} & Z_{RHF})	> 50 dB	32 kHz to 2208 kHz
Input impedance (loading of ADSL signal path)	< 0.25 dB	32 kHz to 2208 kHz



A.C.E. 泰華達股份有限公司
ArchiCore Electronics CO., LTD

Revision History:

Rev.	Author	Approved by	Description of change	Issued date
0	Alvin	Sundi	New release	2011/08/31

